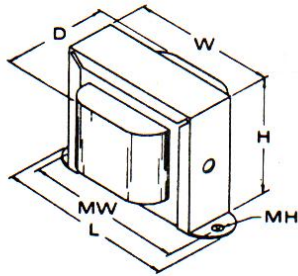
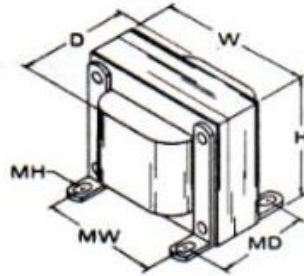


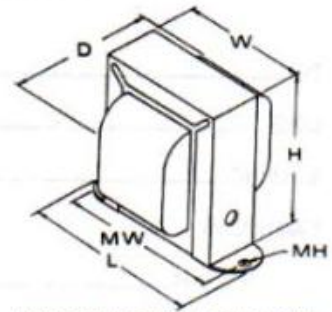
TRANSFORMER STYLE SHEET



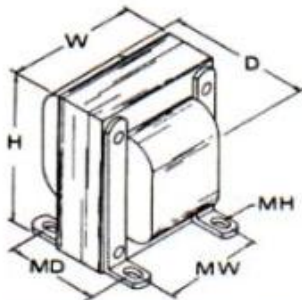
STYLE 1 HORIZONTAL CHANNEL



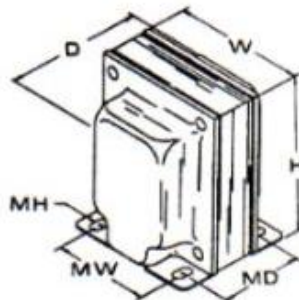
STYLE 2 HORIZONTAL BRACKET



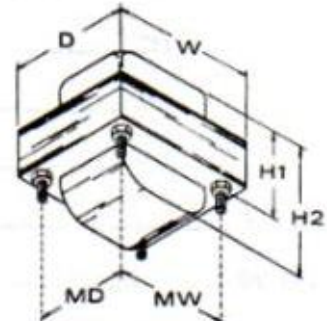
STYLE 3 VERTICAL CHANNEL



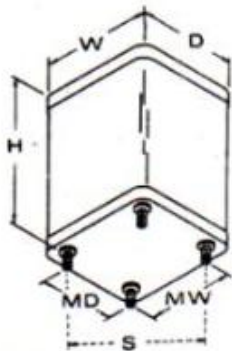
STYLE 4 VERTICAL BRACKET



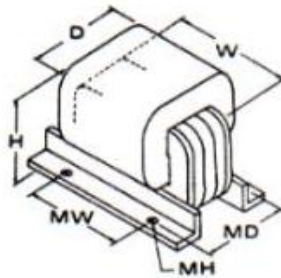
STYLE 5 ENDBELL



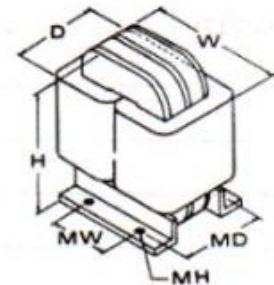
STYLE 6 HALFSHELL



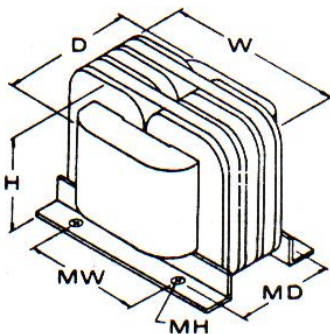
STYLE 7 METAL ENCASED



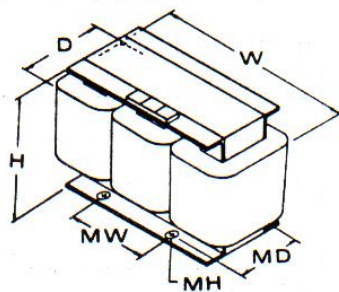
STYLE 8 SIMPLE TYPE



STYLE 9 CORE TYPE



STYLE 10 SHELL TYPE



STYLE 12 THREE-PHASE