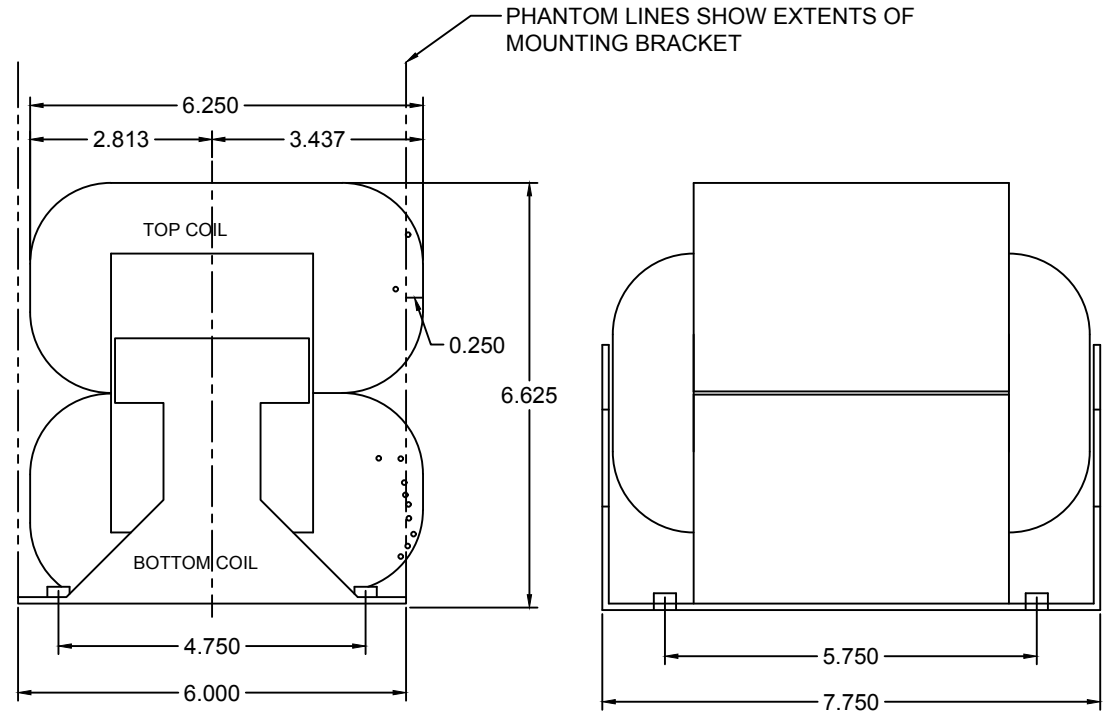
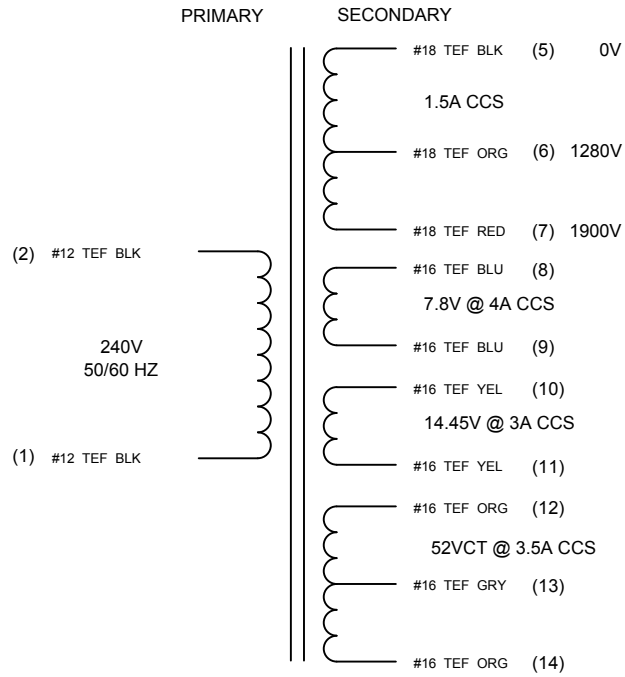
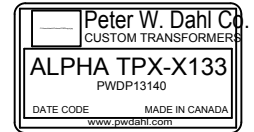


SCHEMATIC DIAGRAM



PRIMARY
 BLK
 0V/240V
 50/60Hz
SECONDARY
 BLK - RED
 1900V @ 1.5A CCS
 ORG: 1280V TAP
 BLU
 7.8V @ 4A CCS
 YEL
 14.45V @ 3A CCS
 ORG - GRY - ORG
 52VCT @ 3.5A CCS

- LEADS NOT SHOWN FOR DIMENSIONAL CLARITY
- ALL DIMENSION ARE FROM BOTH DAHL SPECIFICATION AND VERIFIED ON PHYSICAL SAMPLE
- LIFTING HANDLE SUPPLIED
- BOTTOM PLATE INCLUDES FOUR ZINC PLATED 1/4-20 SELF-CLINCH NUTS.



PROPERTY AND COPYRIGHT NOTICE							
THIS DRAWING AND THE INFORMATION IT CONVEYS ARE THE PROPERTY OF HAMMOND MANUFACTURING. IT MAY NOT BE REPRODUCED, TRANSMITTED OR USED IN ANY MANNER WHATSOEVER WITHOUT THE WRITTEN PERMISSION OF HAMMOND MANUFACTURING.							
REV	NOTES	BY	DATE	REV	NOTES	BY	DATE
1	ADDED MORE NOTES.	C.I.	04/20/18				
				ELECTRONIC DIVISION 52 RANKIN PLACE, WATERLOO, ONTARIO, N2J 3Z5 PHONE: 519.886.6181 FAX: 519.886.9540			
PWDP13140 DIMENSIONAL ONLY							
DRAWN		DATE		NUMBER			
C. ILIE		04/13/18					
APPROVED		DATE					