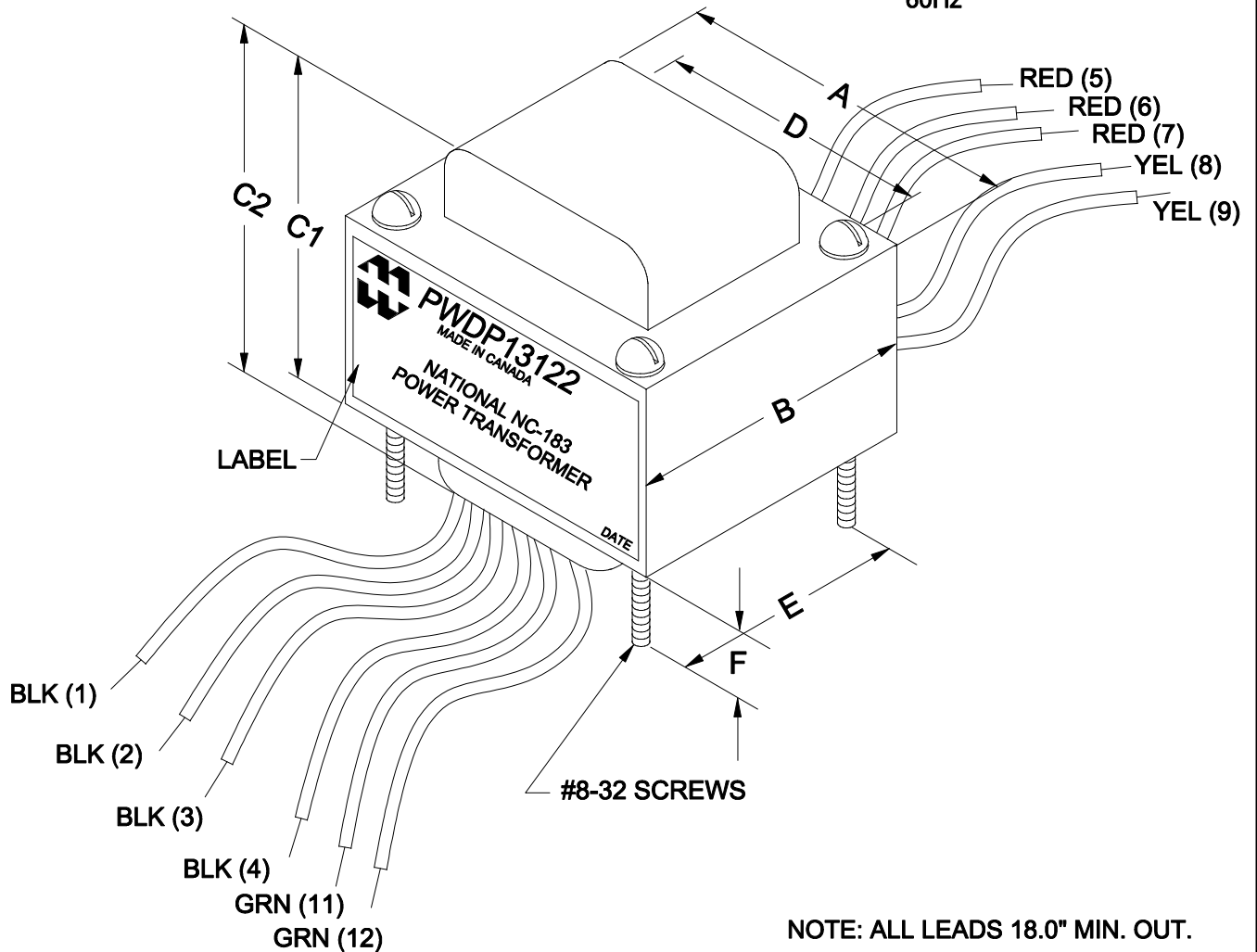
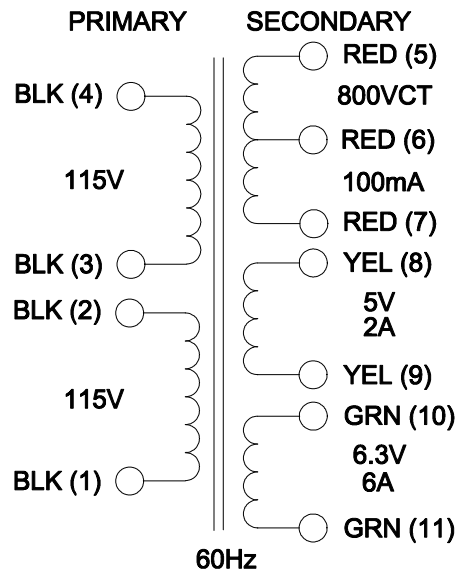


DIMENSIONS:	
A	3.750" ±0.063
B	3.125" ±0.063
C1	2.406" ±0.125
C2	3.281" ±0.125
D	3.125" ±0.063
E	2.500" ±0.063
F	1.000" ±0.063



ELECTRONIC DIVISION
 52 RANKIN PLACE,
 WATERLOO, ONTARIO, N2J 3Z5
 PH # (519) 886-6181
 FAX # (519) 886-9540

TITLE			
NATIONAL NC-183 POWER TRANSFORMER			
NO	DATE	REVISION	DWG. BY
0	06/28/17	RELEASED.	C.I.
			DATE
			06/28/17
			DIM IN()MM()

PWDP13122