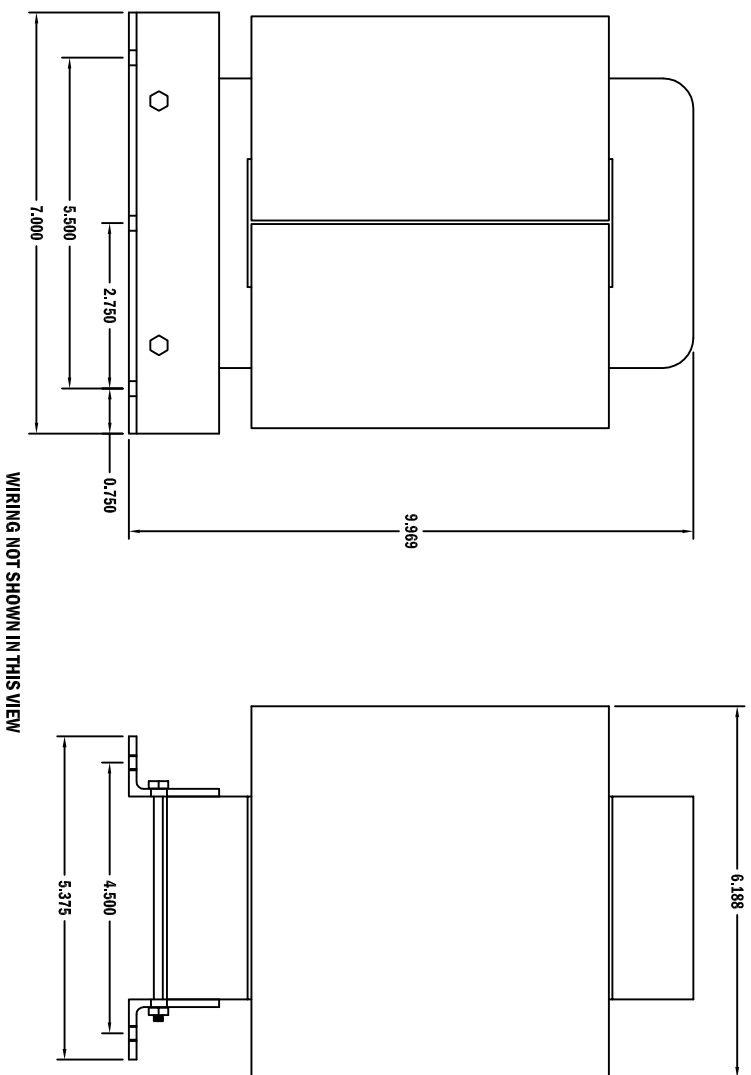
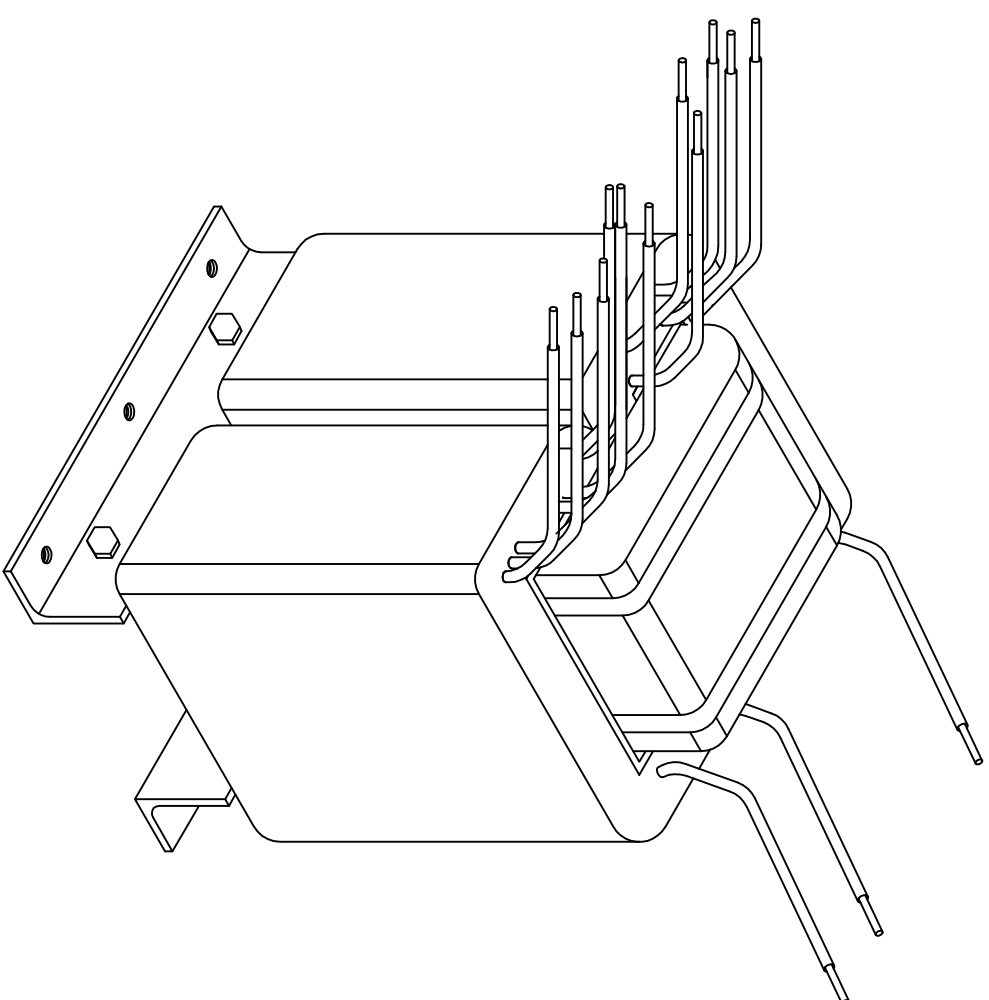


OVERALL DIMENSIONS

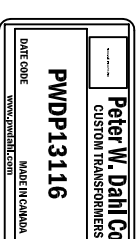
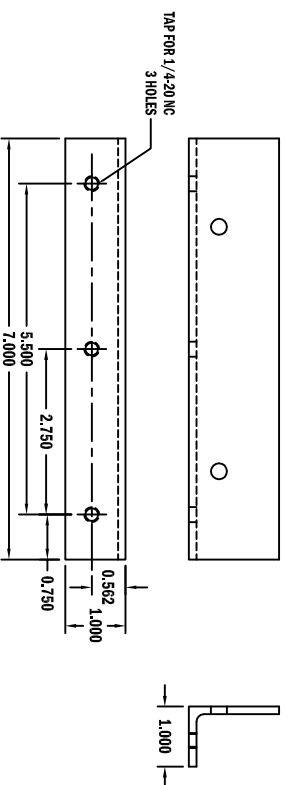


WIRING NOT SHOWN IN THIS VIEW



NO CONNECTORS WILL BE SUPPLIED

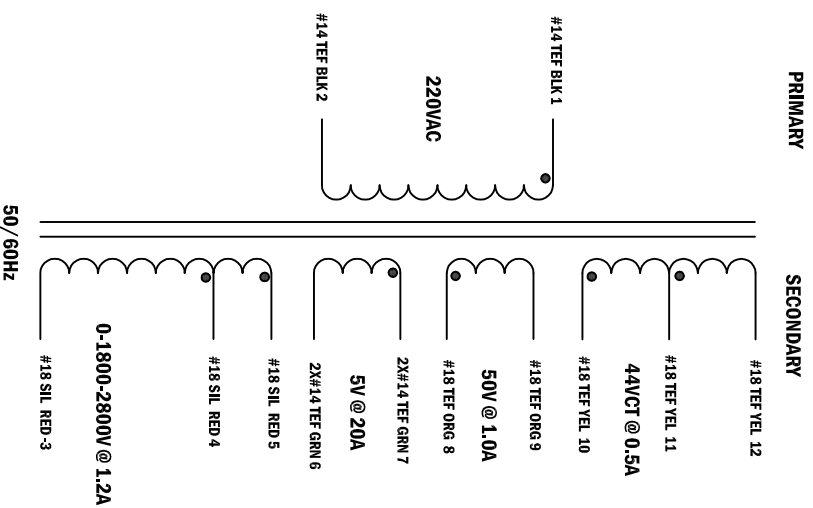
MOUNTING FOOT DETAIL



PRIMARY
BLK
220V
50/60HZ

SECONDARY
RED
1800V/2800V @ 1.2A
GREEN
5.0V @ 20.0A
ORANGE
50V @ 1.0A
YELLOW
44VCT @ 0.5A

SCHEMATIC DIAGRAM



PROPERTY AND COPYRIGHT NOTICE
THIS DRAWING AND THE INFORMATION IT CONVEYS ARE THE PROPERTY OF HAMMOND MANUFACTURING. IT MAY NOT BE REPRODUCED, TRANSMITTED OR USED IN ANY MANNER WHATSOEVER WITHOUT THE WRITTEN PERMISSION OF HAMMOND MANUFACTURING.

HAMMOND
MANUFACTURING
ELECTRONIC DIVISION
52 RANKIN PLACE
WATERLOO, ONTARIO, N2J 3Z5
PHONE: 519.886.6181 FAX: 519.886.9540

ALPHA 77S - 220V 50Hz PRIMARY

REV	NOTES	BY	DATE	REV	NOTES	BY	DATE
0	RELEASED.	C.L.	03/30/17				

DRAWN C. IJIE	DATE 03/30/17	NUMBER PWDP13116
APPROVED	DATE	