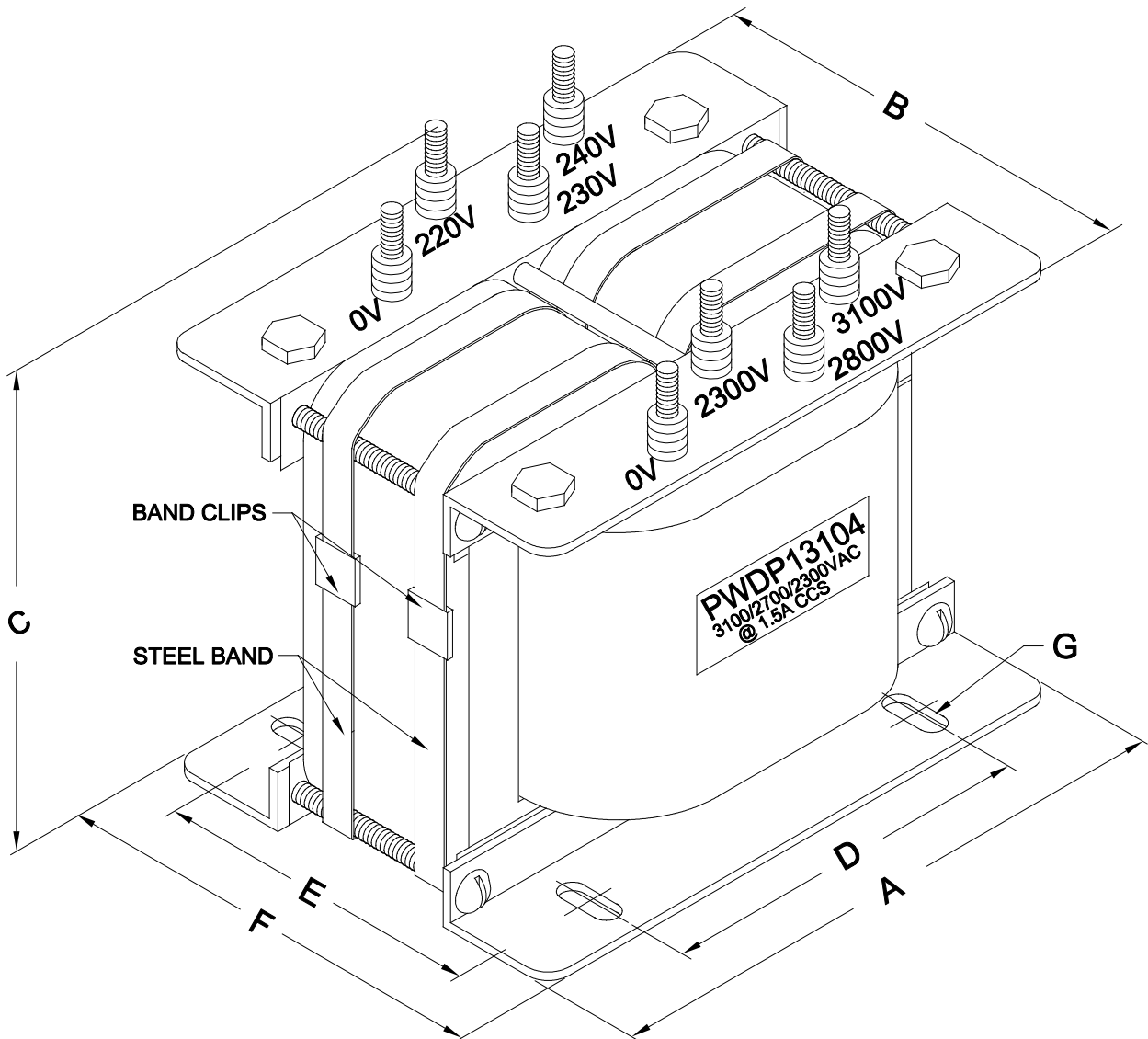
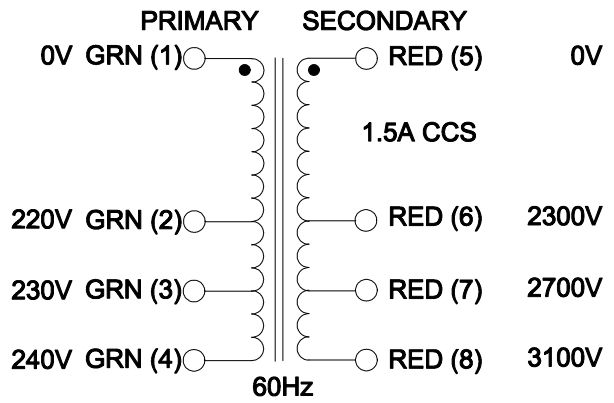


DIMENSIONS:	
A	8.750" ±0.063
B	8.825" ±0.125
C	10.67" ±0.063
D	6.250" ±0.063
E	4.500" ±0.063
F	5.625" ±0.063
G	0.313" X 0.531" ±0.015



HAMMOND
MANUFACTURING™

ELECTRONIC DIVISION
52 RANKIN PLACE,
WATERLOO, ONTARIO, N2J 3Z5
PH # (519) 886-6181
FAX # (519) 886-9540

TITLE

PWDP13104

NO	DATE	REVISION	DWG. BY
0	02/14/17	RELEASED.	C.I. CORINA ILIE
			DATE
			02/14/17
			DIM IN()MM()

EDBPWDP13104