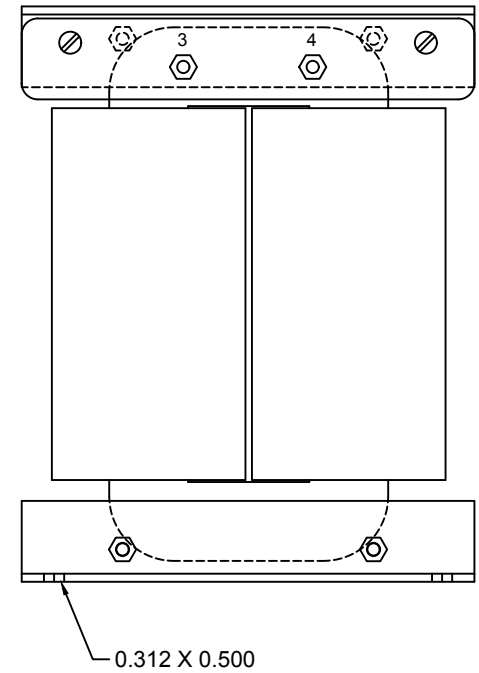
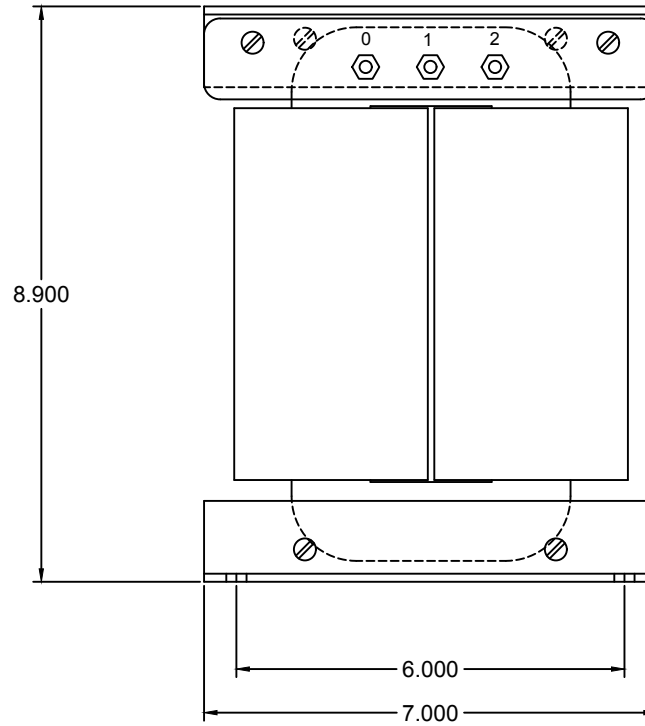
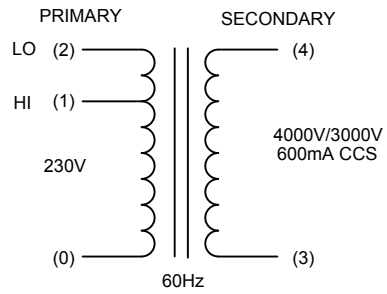


PRIMARY SIDE

SECONDARY SIDE



SCHEMATIC DIAGRAM



PROPERTY AND COPYRIGHT NOTICE

THIS DRAWING AND THE INFORMATION IT CONVEYS ARE THE PROPERTY OF HAMMOND MANUFACTURING. IT MAY NOT BE REPRODUCED, TRANSMITTED OR USED IN ANY MANNER WHATSOEVER WITHOUT THE WRITTEN PERMISSION OF HAMMOND MANUFACTURING.

REV	NOTES	BY	DATE	REV	NOTES	BY	DATE
0	RELEASED.	C.I.	04/13/16				

		HAMMOND MANUFACTURING ELECTRONIC DIVISION 52 RANKIN PLACE, WATERLOO, ONTARIO, N2J 3Z5 PHONE: 519.886.6181 FAX: 519.886.9540	
		HENRY 3K/3K-A	
DRAWN C. ILIE	DATE 04/13/16	NUMBER PWDP13084	
APPROVED	DATE		