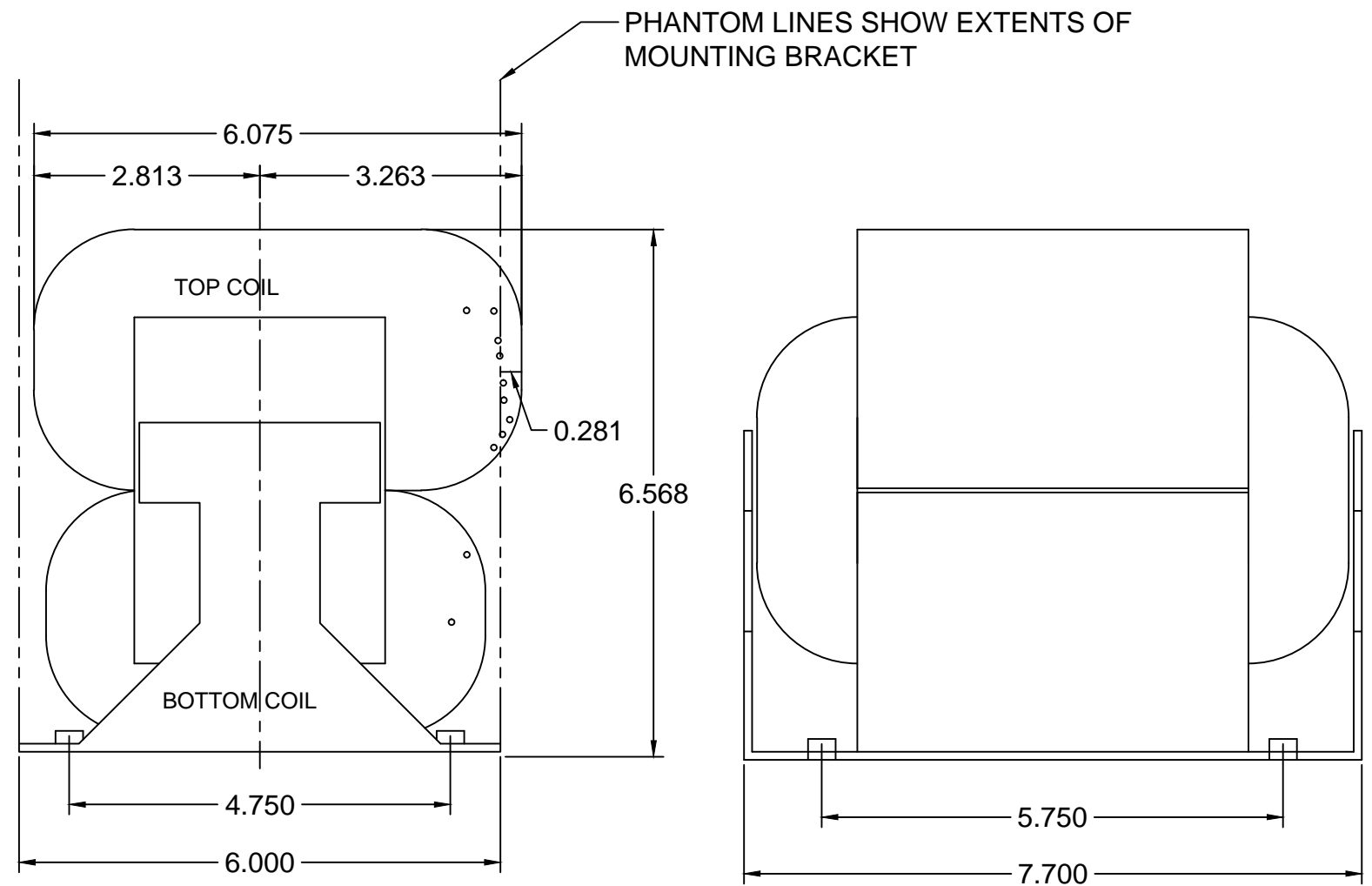


OPTION - FLIPPING COILS TO HAVE LEAD EXITS ON OPPOSITE SIDE OF TRANSFORMER TO MAINTAIN CHASSE WALL CLEARANCE
 - ADDITIONAL LENGTH WOULD BE ADDED TO LEADS TO ACCOMMODATE NEW ORIENTATION




- LEADS NOT SHOWN FOR DIMENSIONAL CLARITY
 - ALL DIMENSION ARE FROM BOTH DAHL SPECIFICATION AND VERIFIED ON PHYSICAL SAMPLE

PROPERTY AND COPYRIGHT NOTICE

THIS DRAWING AND THE INFORMATION IT CONVEYS ARE THE PROPERTY OF HAMMOND MANUFACTURING. IT MAY NOT BE REPRODUCED, TRANSMITTED OR USED IN ANY MANNER WHATSOEVER WITHOUT THE WRITTEN PERMISSION OF HAMMOND MANUFACTURING.

REV	NOTES	BY	DATE	REV	NOTES	BY	DATE



**HAMMOND
MANUFACTURING.**

ELECTRONIC DIVISION
 52 RANKIN PLACE,
 WATERLOO, ONTARIO, N2J 3Z5
 PHONE: 519.886.6181 FAX: 519.886.9540

PWDP13049 DIMENSIONAL ONLY

DRAWN C. BACIK	DATE 03/20/15	NUMBER
APPROVED	DATE	