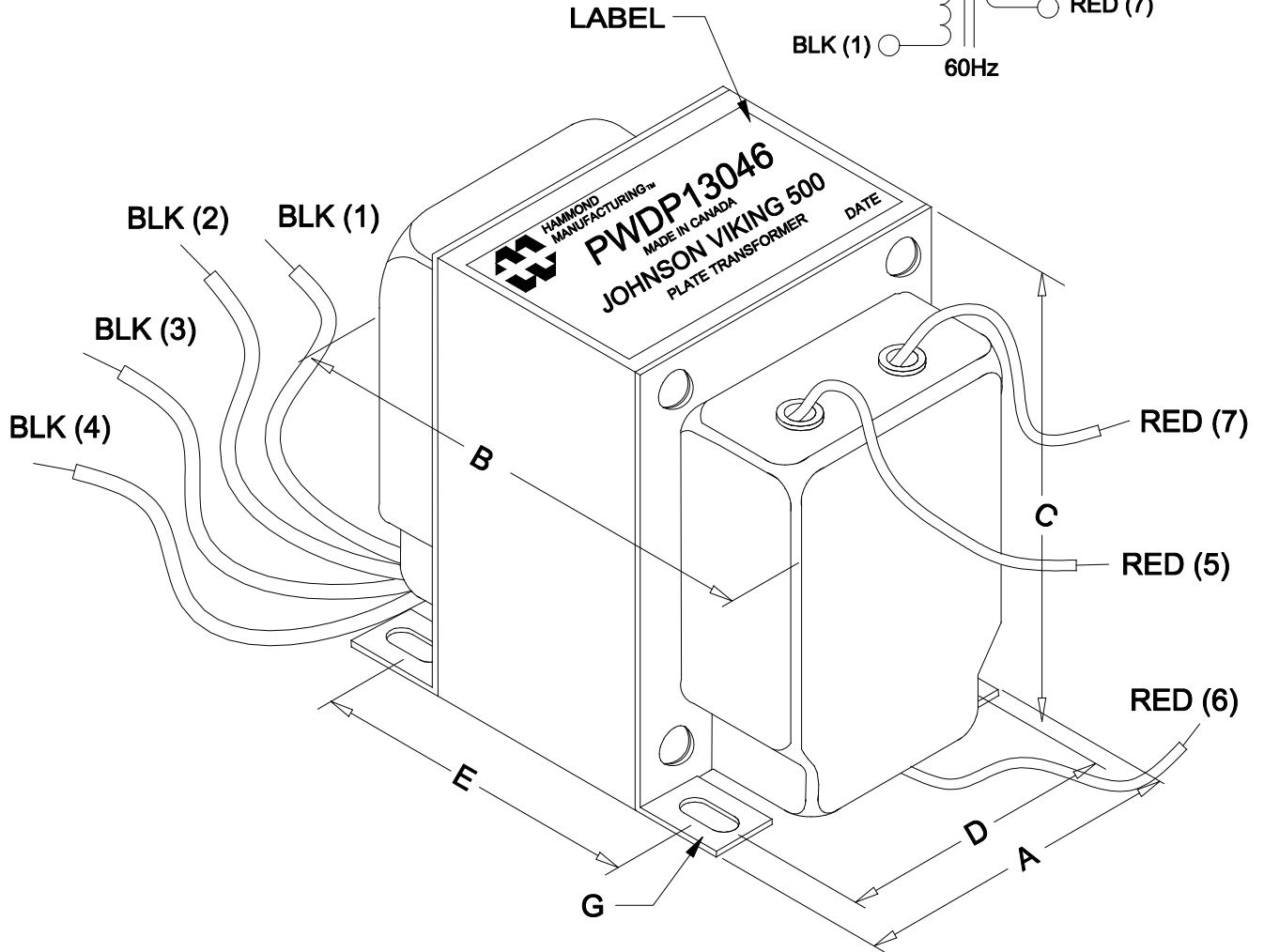
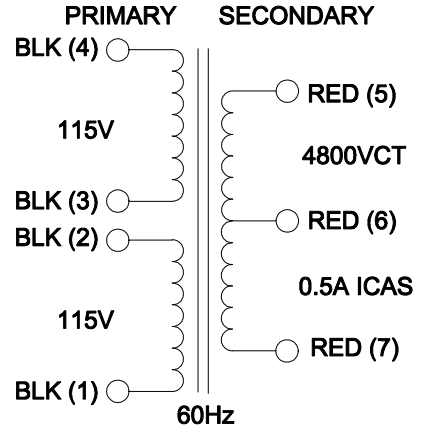


DIMENSIONS:	
A	5.313" ±0.063
B	7.346" ±0.125
C	6.375" ±0.063
D	4.250" ±0.063
E	5.750" ±0.063
G	0.281" X 0.750" ±0.015



NOTE: ALL LEADS 14.0" LONG MIN. STRIP 0.5".



ELECTRONIC DIVISION
 52 RANKIN PLACE,
 WATERLOO, ONTARIO, N2J 3Z5
 PH # (519) 886-6181
 FAX # (519) 886-9540

TITLE
PWDP13046
PLATE TRANSFORMER

NO	DATE	REVISION	DWG. BY
0	03/02/15	RELEASED. C.I.	CORINA ILIE
			DATE
			03/02/15
			DIM IN()MM()

EDBPWDP13046