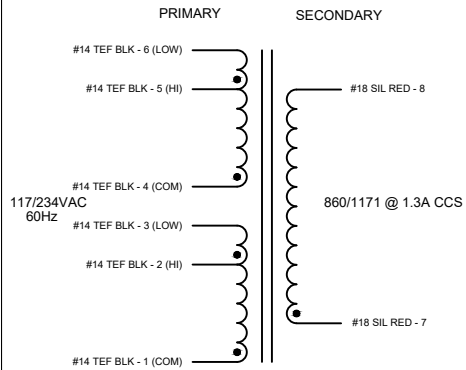
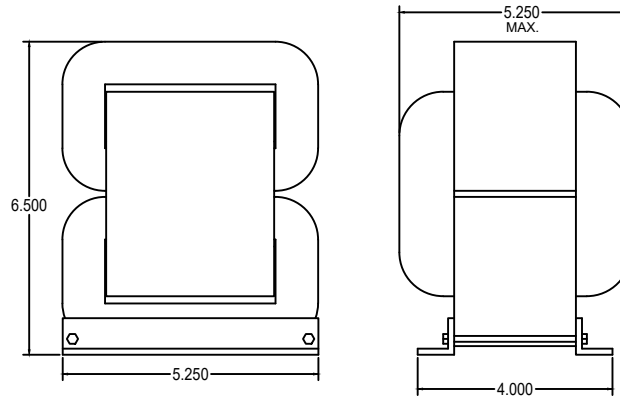


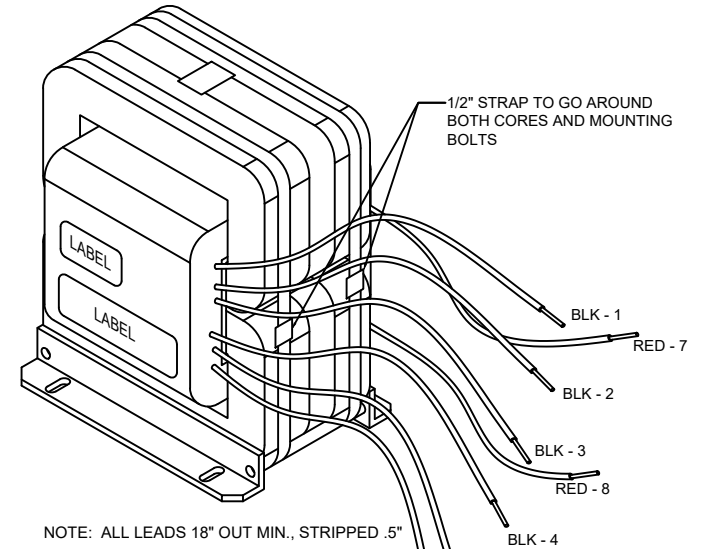
SCHEMATIC DIAGRAM



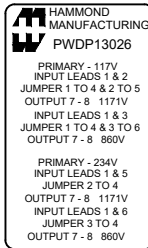
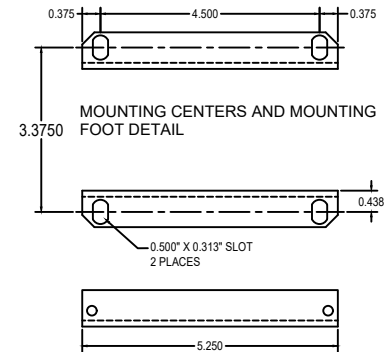
NOTE:
 FOR 117VAC HI: JUMPER (1 & 4) AND (2 & 5), EXCITE 1 & 2
 FOR 117VAC LOW: JUMPER (1 & 4) AND (3 & 6), EXCITE 1 & 3
 FOR 234VAC HI: JUMPER (2 & 4), EXCITE 1 & 5
 FOR 234VAC LOW: JUMPER (3 & 4), EXCITE 1 & 6



WIRES NOT SHOWN IN THIS VIEW



NOTE: ALL LEADS 18" OUT MIN., STRIPPED .5"



ELECTRICAL DATA:		
TESTS	CONDITIONS	ACCEPTANCE CRITERIA
SEC N.L.V.	@117V INPUT 1 - 2, JUMPER 1 TO 4 AND 2 TO 5	
	7 TO 8 =	1183V ±2%
	@117V INPUT 1 - 3, JUMPER 1 TO 4 AND 3 TO 6	
	7 TO 8 =	887V ±2%
	@234V INPUT 1 - 5, JUMPER 2 TO 4	
	7 TO 8 =	1183V ±2%
	@234V INPUT 1 - 6, JUMPER 3 TO 4	
	7 TO 8 =	887V ±2%
DCR	1 - 3 =	0.258 ±20%
IN OHMS	4 - 6 =	0.300 ±20%
	7 - 8 =	13.8 ±20%
HIPOUT	PRIMARY - CORE	3500V, 60Hz, 1 SEC
	SEC - CORE	7000V, 60Hz, 1 SEC
	PRI - SEC	7000V, 60Hz, 1 SEC
	PRI - PRI	3500V, 60Hz, 1 SEC

PROPERTY AND COPYRIGHT NOTICE

THIS DRAWING AND THE INFORMATION IT CONVEYS ARE THE PROPERTY OF HAMMOND MANUFACTURING. IT MAY NOT BE REPRODUCED, TRANSMITTED OR USED IN ANY MANNER WHATSOEVER WITHOUT THE WRITTEN PERMISSION OF HAMMOND MANUFACTURING.

REV	NOTES	BY	DATE	REV	NOTES	BY	DATE
1	CORRECTED DIMENSION TABLE	CB	05/07/14				
2	REVISED MOUNTING BRACKET	CB	06/19/14				
3	REVISED MOUNTING BRACKET	CB	08/25/14				
4	CORRECT VOLTAGE ON TABLE	CB	06/13/19				
5	CHANGE MTG SLOT SIZE.	CI	02/07/20				
6	ADDED POLARITY DOTS.	CI	03/17/20				

HAMMOND MANUFACTURING
 ELECTRONIC DIVISION
 52 RANKIN PLACE,
 WATERLOO, ONTARIO, N2J 3Z5
 PHONE: 519.886.6181 FAX: 519.886.9540

HEATHKIT SB-220-3-7 (PT-220)		
DRAWN C.BACIK	DATE 05/23/14	NUMBER PWDP13026
APPROVED	DATE	