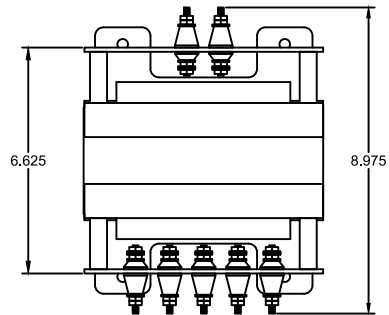


TOP VIEW



HAMMOND MANUFACTURING

PWDM13037

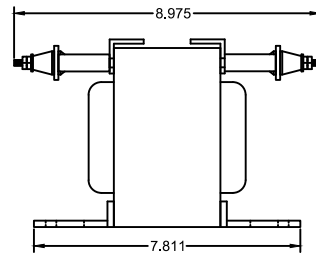
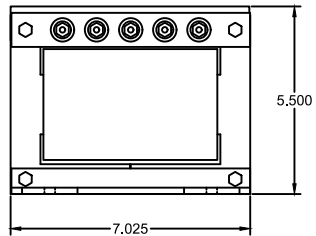
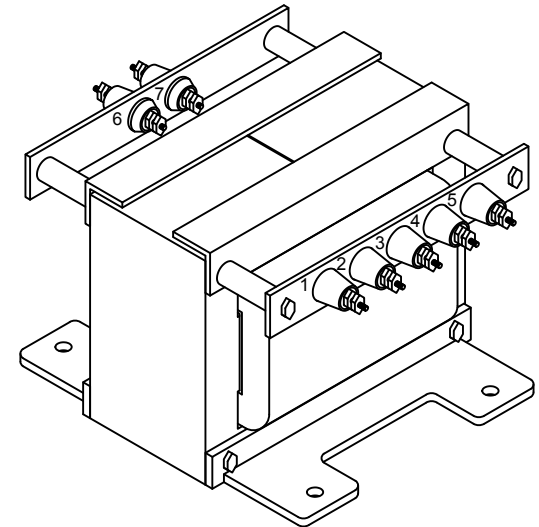
COLLINS KW-1
MODULATION TRANSFORMER

PRIMARY:
TER 1 TO TER 5 - 18000 OHMS CT
2400VCT
TER 2 TO TER 4 - 11600 OHMS CT
1800VCT
TER 3 - CENTER TAP

SECONDARY:
TER 6 TO TER 7 - 6250 OHMS RFFA
1768 VAC @ 283mA CCS

500VA TOTAL OUTPUT

MADE IN CANADA DATE



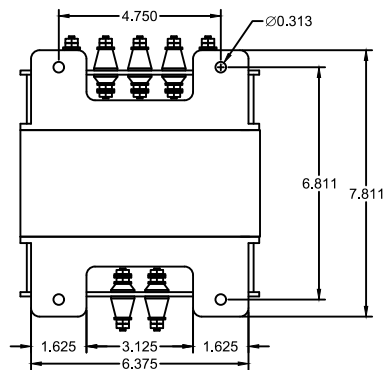
Peter W. Dahl Co.
CUSTOM TRANSFORMERS

COLLINS KW-1
PWDM13037

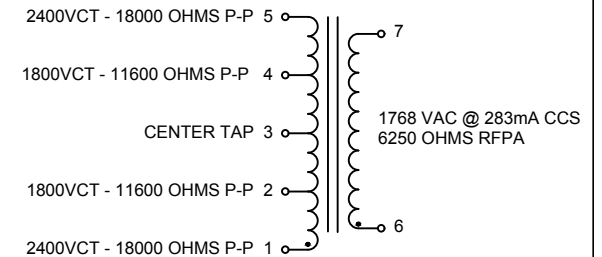
DATE CODE MADE IN CANADA

www.pwdahl.com

BOTTOM VIEW



SCHEMATIC
PRIMARY SECONDARY



PROPERTY AND COPYRIGHT NOTICE

THIS DRAWING AND THE INFORMATION IT CONVEYS ARE THE PROPERTY OF HAMMOND MANUFACTURING. IT MAY NOT BE REPRODUCED, TRANSMITTED OR USED IN ANY MANNER WHATSOEVER WITHOUT THE WRITTEN PERMISSION OF HAMMOND MANUFACTURING.

REV	NOTES	BY	DATE	REV	NOTES	BY	DATE

HAMMOND MANUFACTURING

ELECTRONIC DIVISION
32 RANKIN PLACE,
WATERLOO, ONTARIO, N2J 3Z5
PHONE: 519.886.6181 FAX: 519.886.9540

**COLLINS/JOHNSON DESK KILOWATT
MODULATION TRANSFORMER**

DRAWN CBACIK	DATE 10/27/14	NUMBER PWDM13037
APPROVED	DATE	