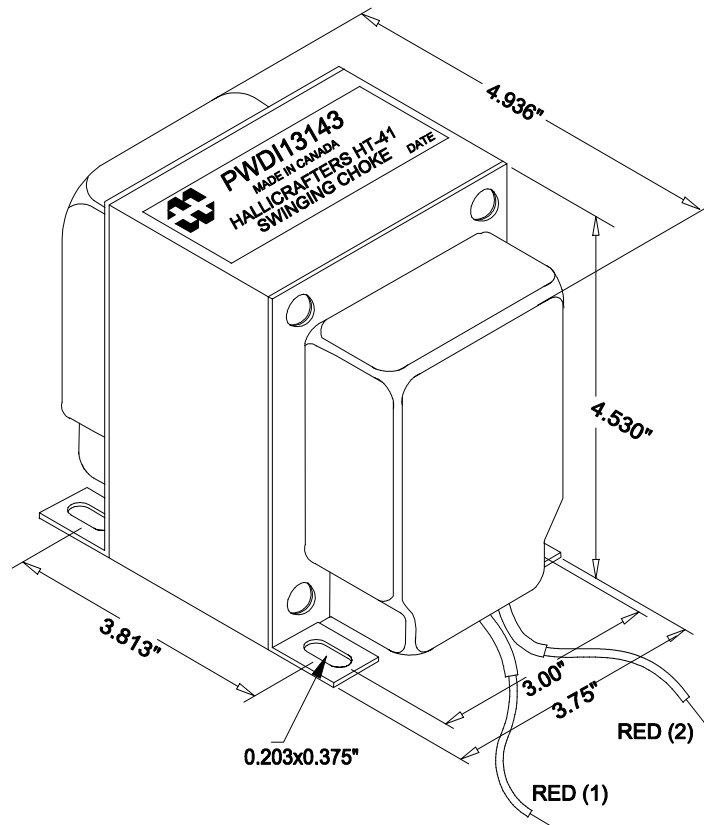
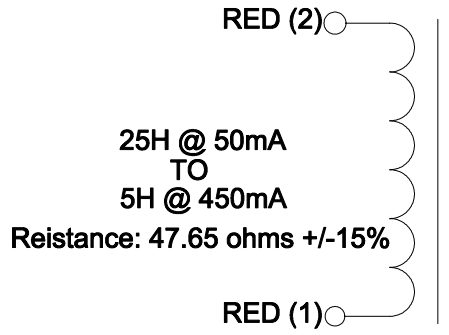


PWDI13143



NOTE: ALL LEADS ARE 14" MIN. LONG OUT.

TOLERANCES STD.	
.X	= ±.1
.XX	= ±.06
.XXX	= ±.02
.XXXX	= ±.005
ANGLES	= ±0.5°

REV.#	REVISION	DATE	Hammond Electronics Waterloo, Ontario Canada		
0	RELEASED. C.I.	04/02/18	DWG. BY: C. ILIE	TITLE: Swinging Choke	DWG.NO. PWDI13143 SH 1 OF 1
			DATE: 04/02/2018		
			CHK'D BY:		
			APP'D. BY:		