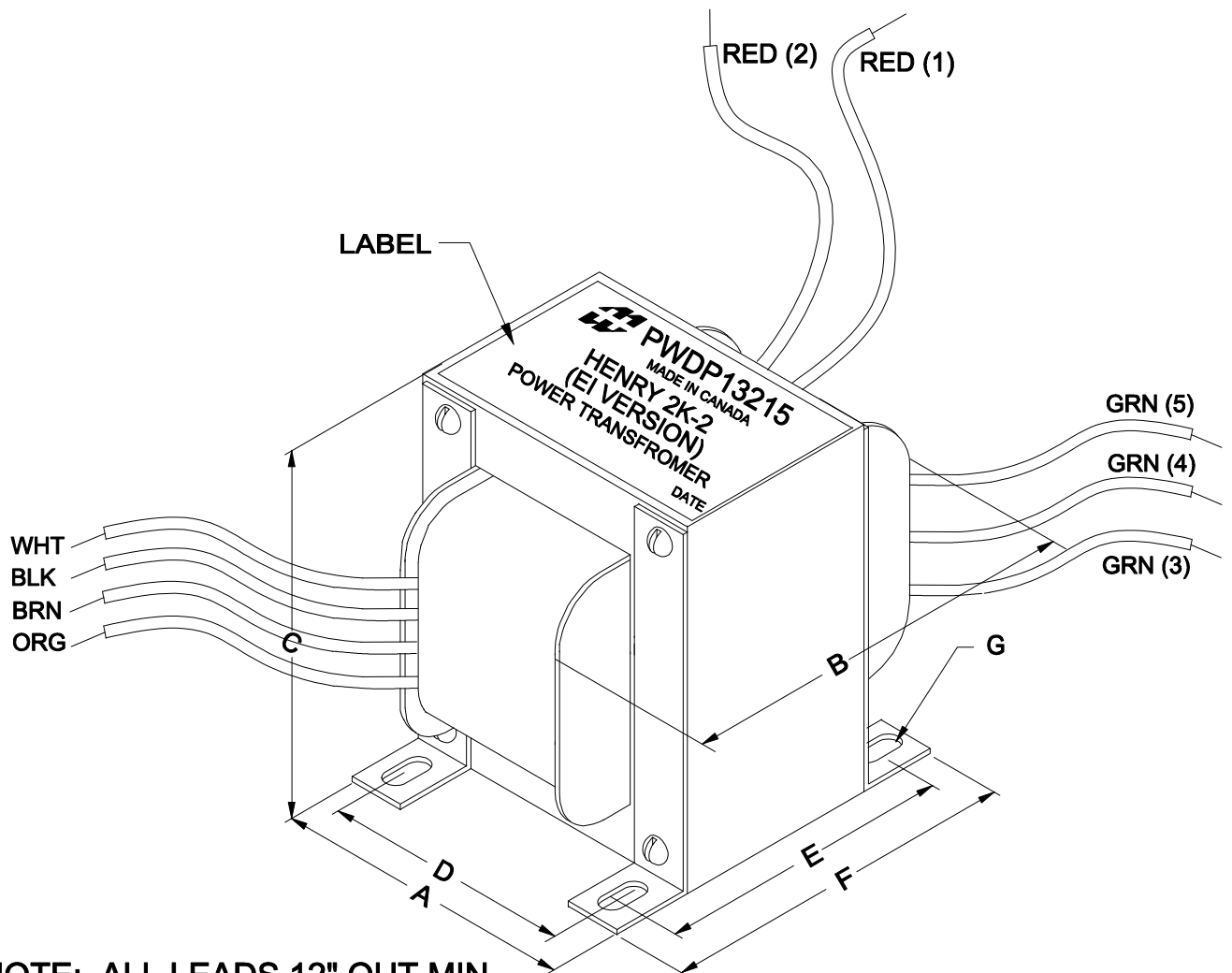
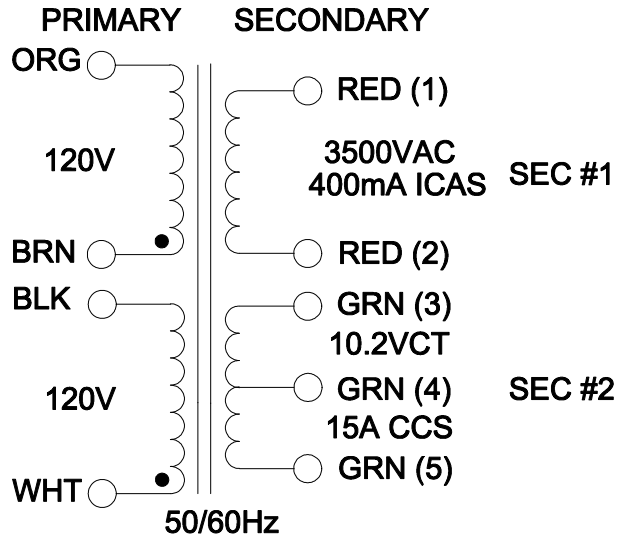


DIMENSIONS:	
A	5.313" ±0.063
B	6.000" MAX.
C	6.375" ±0.063
D	4.250" ±0.063
E	4.125" ±0.063
F	5.250" ±0.063
G	0.281" X 0.563" ±0.015

APPROX. WEIGHT: 28LBS.



NOTE: ALL LEADS 12" OUT MIN.



ELECTRONIC DIVISION
 52 RANKIN PLACE,
 WATERLOO, ONTARIO, N2J 3Z5
 PH # (519) 886-6181
 FAX # (519) 886-9540

TITLE
**HENRY 2K-2
 POWER TRANSFORMER
 (EI LAMINATION VERSION)**

NO	DATE	REVISION	DWG. BY
0	11/27/20	RELEASED.	C. ILIE
1	12/22/20	REVISED SEC #1 V & A.	C.I.
			DATE
			11/27/20
			DIM IN(X)MM()

PWDP13215