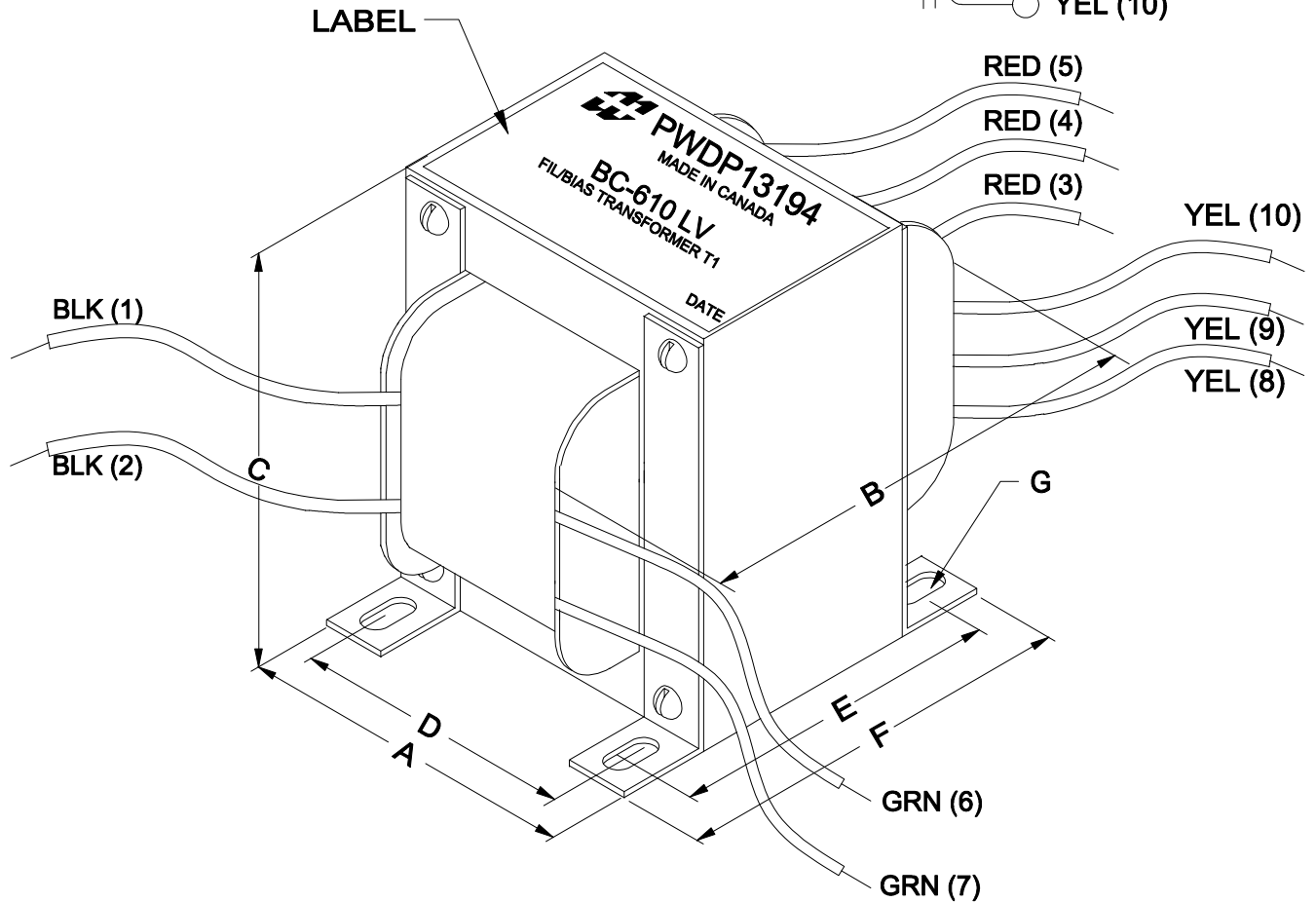
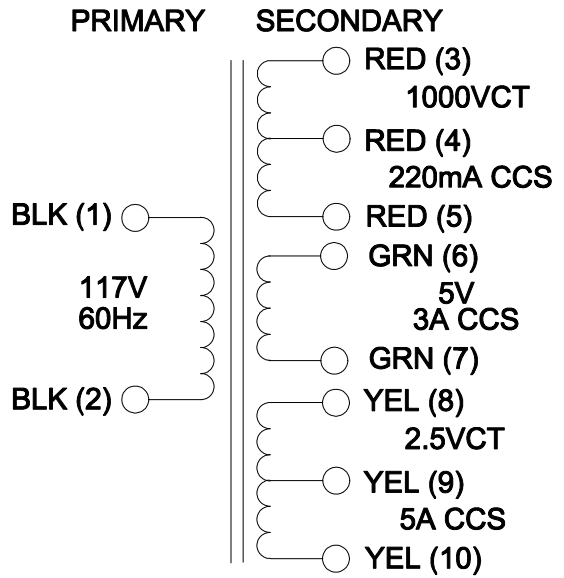


| DIMENSIONS: | |
|-------------|------------------------|
| A | 3.750" ±0.063 |
| B | 4.375" ±0.125 |
| C | 4.500" ±0.063 |
| D | 3.000" ±0.063 |
| E | 3.500" ±0.063 |
| F | 4.063" ±0.063 |
| G | 0.203" X 0.375" ±0.063 |



NOTE: ALL LEADS 12.0" LONG OUT MIN.



ELECTRONIC DIVISION
 52 RANKIN PLACE,
 WATERLOO, ONTARIO, N2J 3Z5
 PH # (519) 886-6181
 FAX # (519) 886-9540

| TITLE | | | |
|--------------------------------------|----------|-----------|----------------|
| BC-610 LV FIL/BIAS TRANSFORMER T1 | | | |
| NO | DATE | REVISION | DWG. BY |
| 0 | 03/11/20 | RELEASED. | C.I. |
| | | | DATE |
| | | | 03/11/20 |
| | | | DIM IN(X)MM() |

PWDP13194