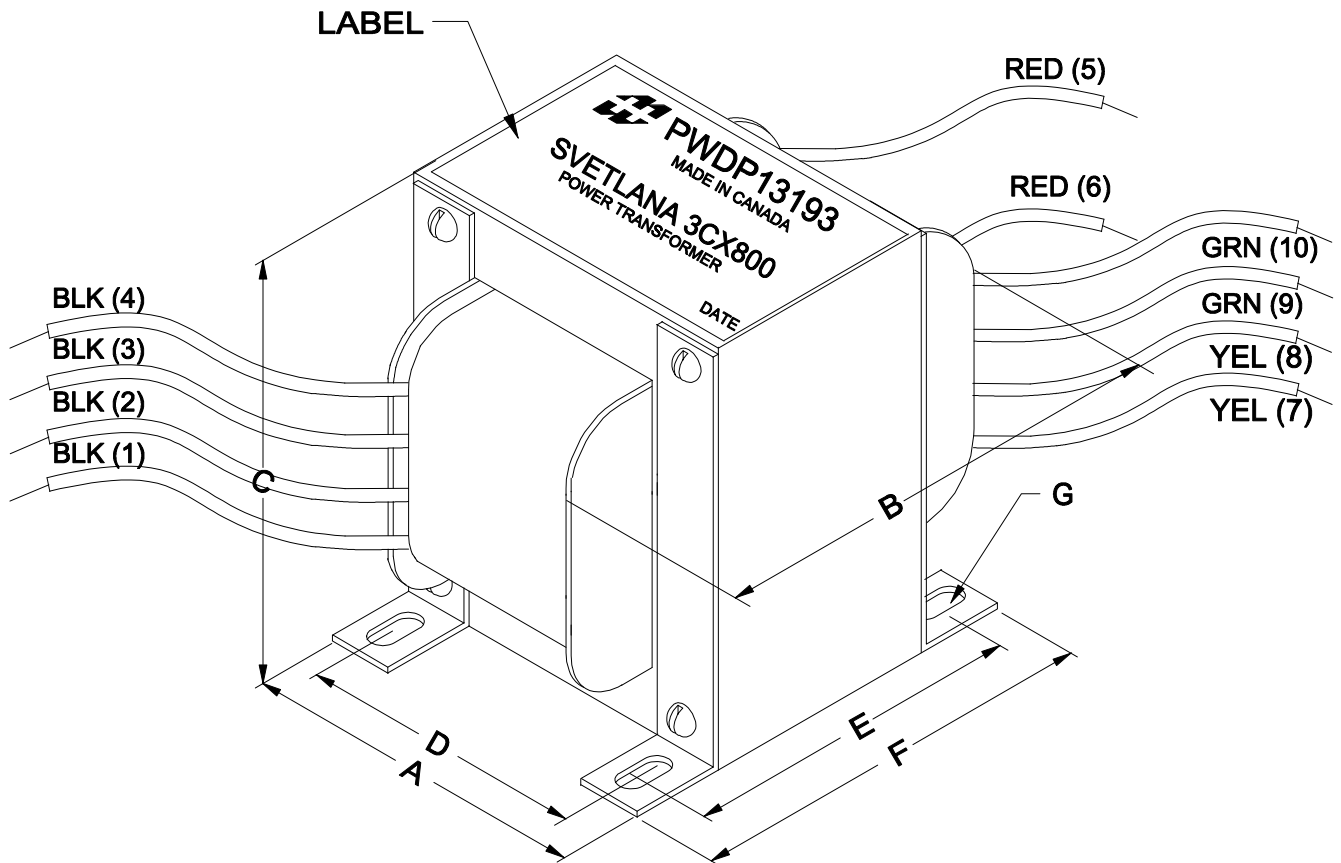
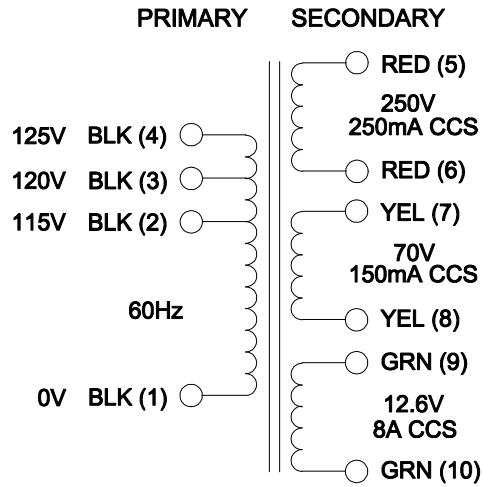


DIMENSIONS:	
A	3.750" ±0.063
B	3.250" ±0.125
C	4.500" ±0.063
D	3.000" ±0.063
E	2.500" ±0.063
F	3.063" ±0.063
G	0.203" X 0.375" ±0.063



NOTE: ALL LEADS 12.0" LONG OUT MIN.



ELECTRONIC DIVISION
 52 RANKIN PLACE,
 WATERLOO, ONTARIO, N2J 3Z5
 PH # (519) 886-6181
 FAX # (519) 886-9540

TITLE			
SVETLANA 3CX800 POWER TRANSFORMER			
NO	DATE	REVISION	DWG. BY
0	02/26/20	RELEASED.	C.I.
1	02/28/20	250V WAS 300V.	C.I.
			DATE
			02/26/20
			DIM IN(X)MM()

PWDP13193