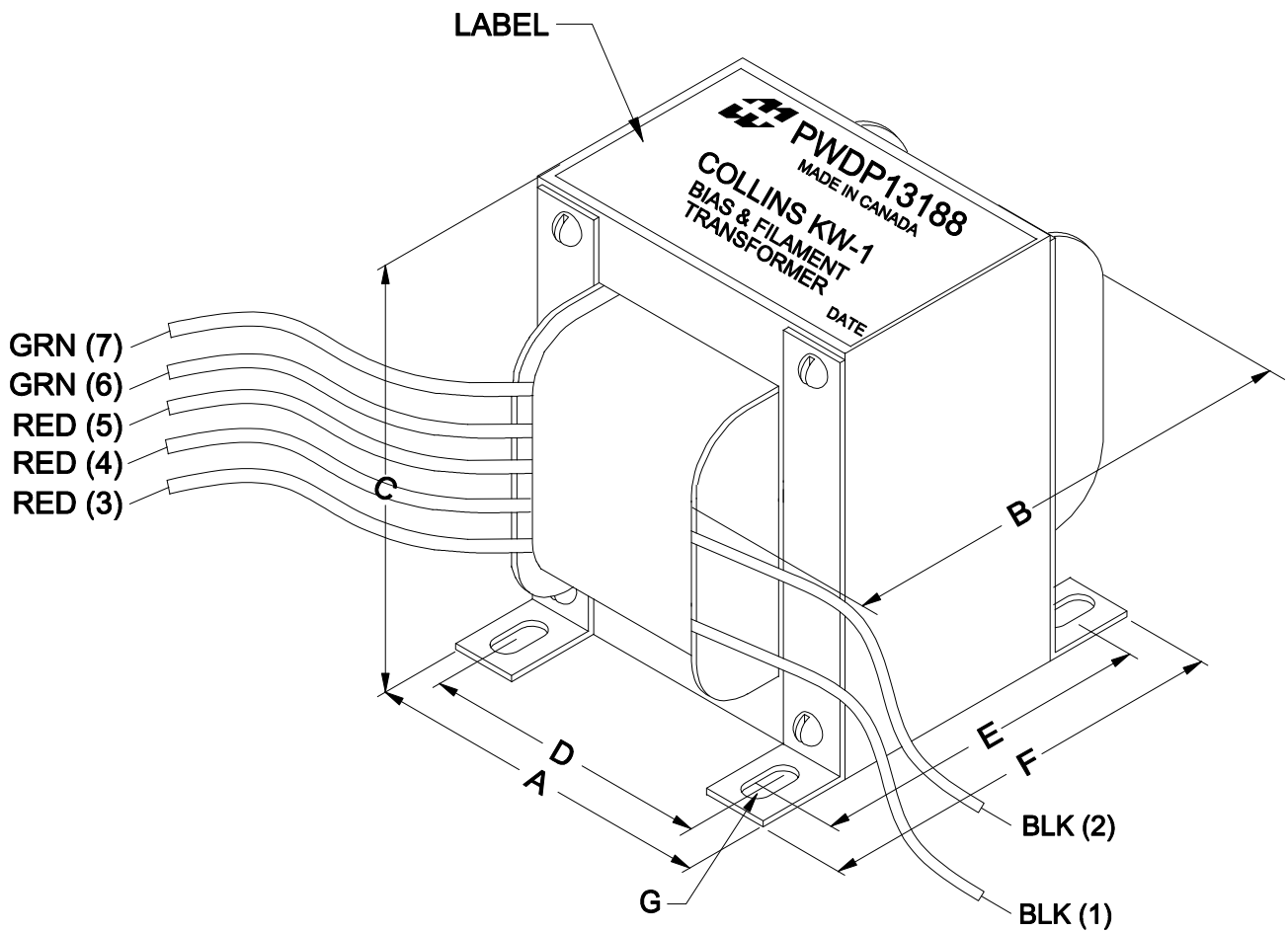
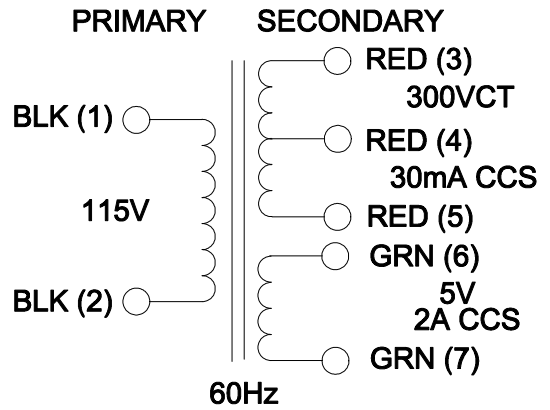


DIMENSIONS:	
A	2.813" ±0.063
B	2.460" ±0.125
C	3.375" ±0.063
D	2.250" ±0.063
E	2.125" ±0.063
F	2.687" ±0.063
G	0.203" x 0.375" ±0.015



NOTE: ALL LEADS 12.0" LONG OUT MIN.



**ELECTRONIC DIVISION**  
52 RANKIN PLACE,  
WATERLOO, ONTARIO, N2J 3Z5  
PH # (519) 886-6181  
FAX # (519) 886-9540

TITLE  
COLLINS KW-1 BIAS TX. T-401  
BIAS & FILAMENT TRANSFORMER

NO	DATE	REVISION	DWG. BY
0	02/18/20	RELEASED.	C. ILIE
			DATE
			02/18/20
			DIM IN(X)MM( )

PWDP13188