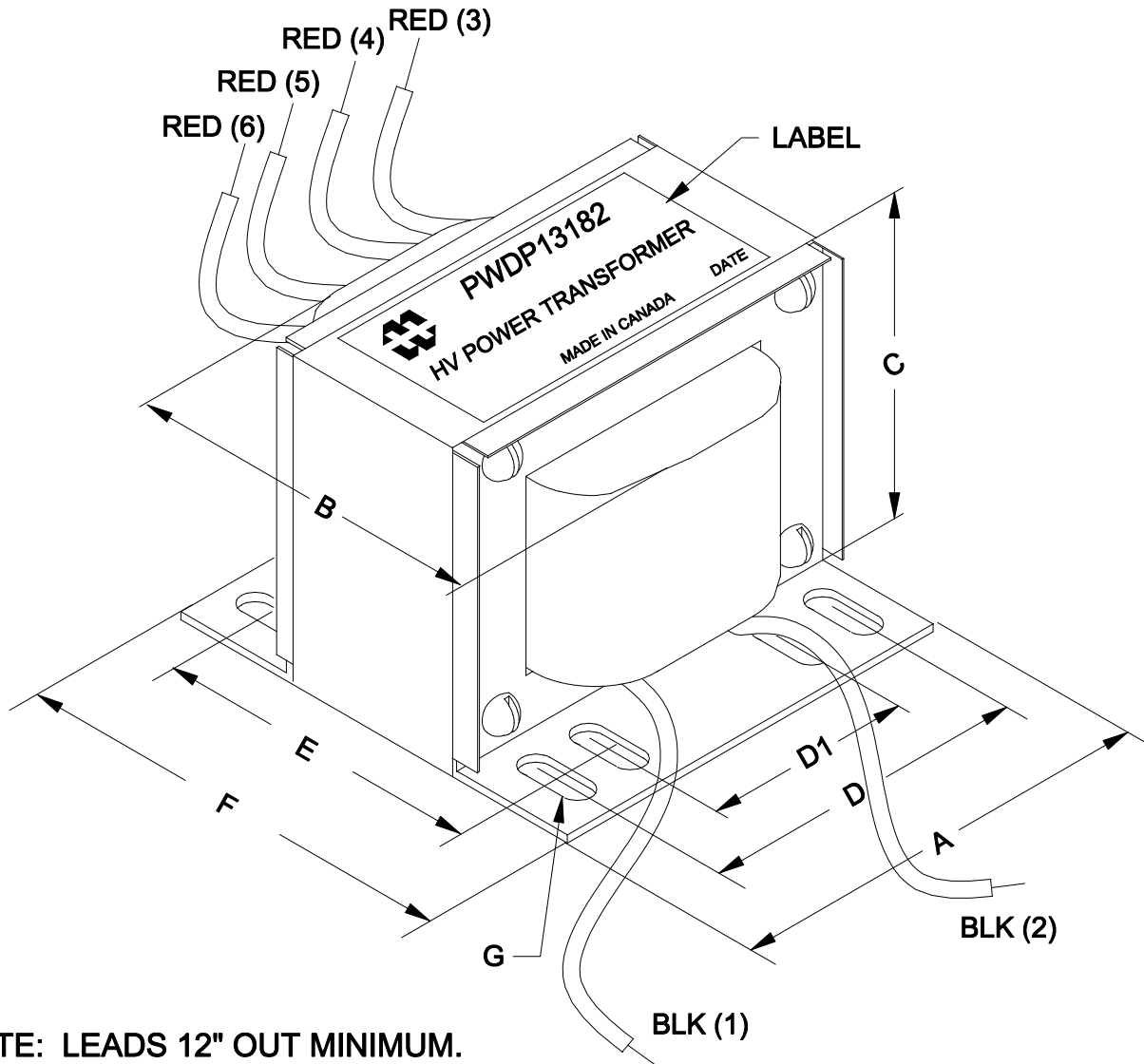
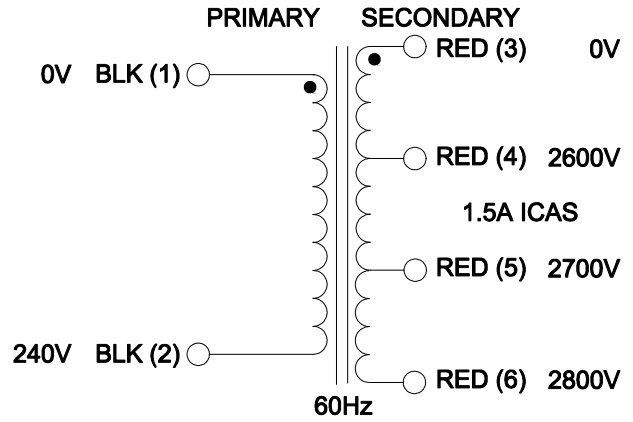


DIMENSIONS:	
A	9.000" ±0.125
B	8.750" ±0.250
C	7.625" ±0.125
D	7.000" ±0.125
D1	5.250" ±0.125
E	6.500" ±0.125
F	8.500" ±0.125
G	0.375" X 1.000" ±0.015



NOTE: LEADS 12" OUT MINIMUM.



ELECTRONIC DIVISION
 52 RANKIN PLACE,
 WATERLOO, ONTARIO, N2J 3Z5
 PH # (519) 886-6181
 FAX # (519) 886-9540

TITLE
HV POWER TRANSFORMER

NO	DATE	REVISION	DWG. BY
0	02/04/20	RELEASED.	C. ILIE
1	02/05/20	240V WAS 250V.	C.I.
			DATE
			02/04/20
			DIM IN(X)MM()

PWDP13182