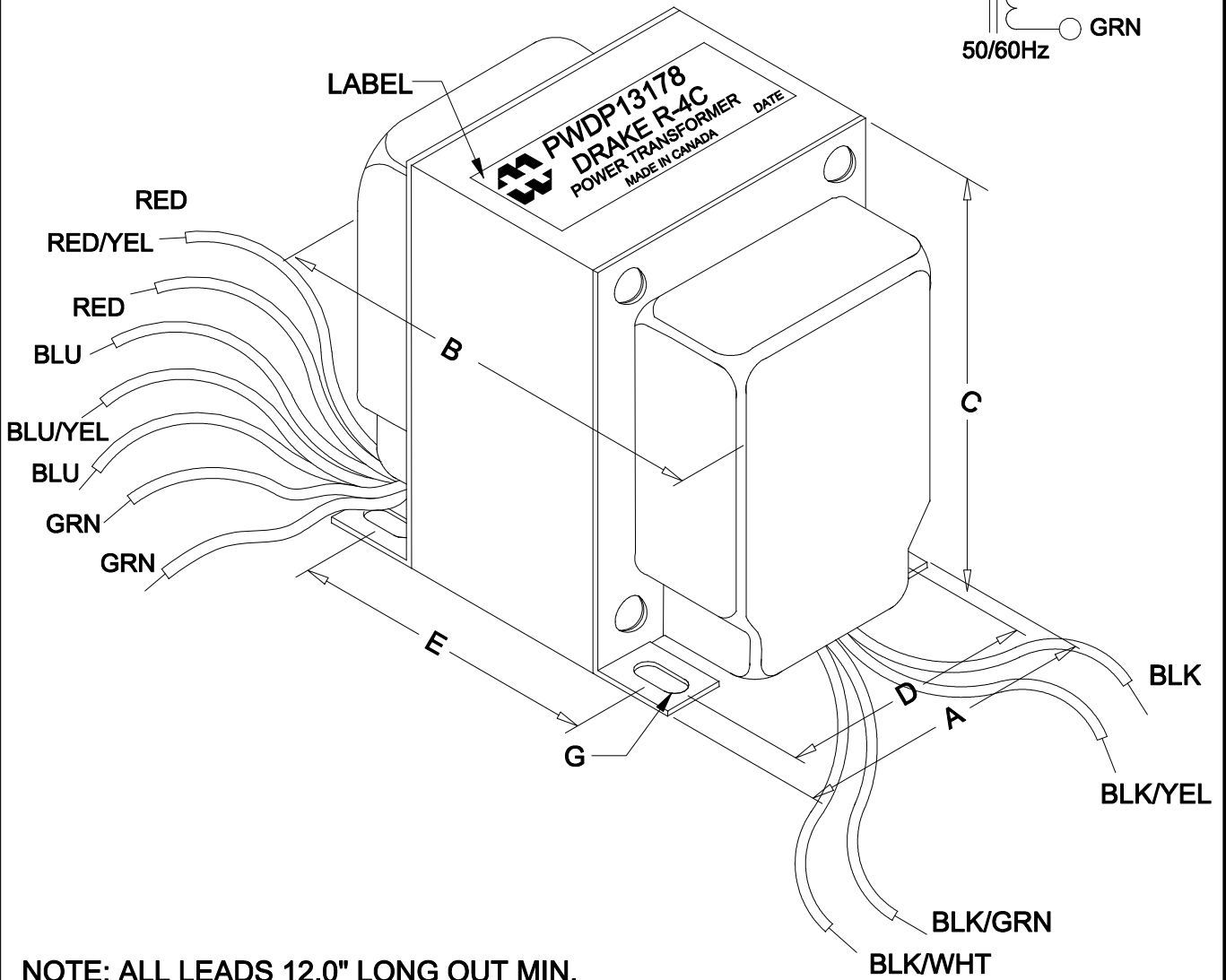
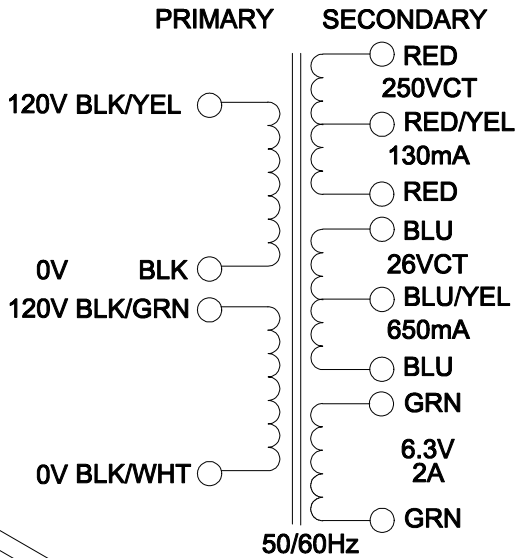


DIMENSIONS:	
A	2.500" ±0.063
B	2.935" ±0.125
C	3.046" ±0.063
D	2.000" ±0.063
E	1.938" ±0.063
G	0.203" X 0.375" ±0.015



NOTE: ALL LEADS 12.0" LONG OUT MIN.



ELECTRONIC DIVISION
 52 RANKIN PLACE,
 WATERLOO, ONTARIO, N2J 3Z5
 PH # (519) 886-6181
 FAX # (519) 886-9540

TITLE
**DRAKE R-4C
 POWER TRANSFORMER**

NO	DATE	REVISION	D.H.	DWG. BY
0	11/14/19	PRELIMINARY.		D. HUTT
1	11/27/19	REVISED DIMENSIONS.	C.I.	
				DATE
				11/14/19
				DIM IN(X)MM()

PWDP13178