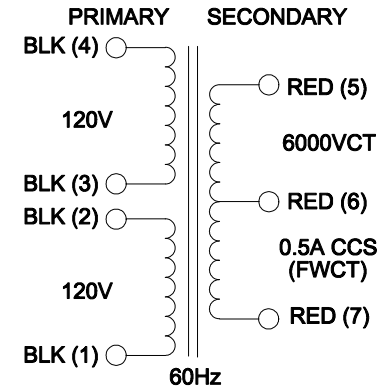
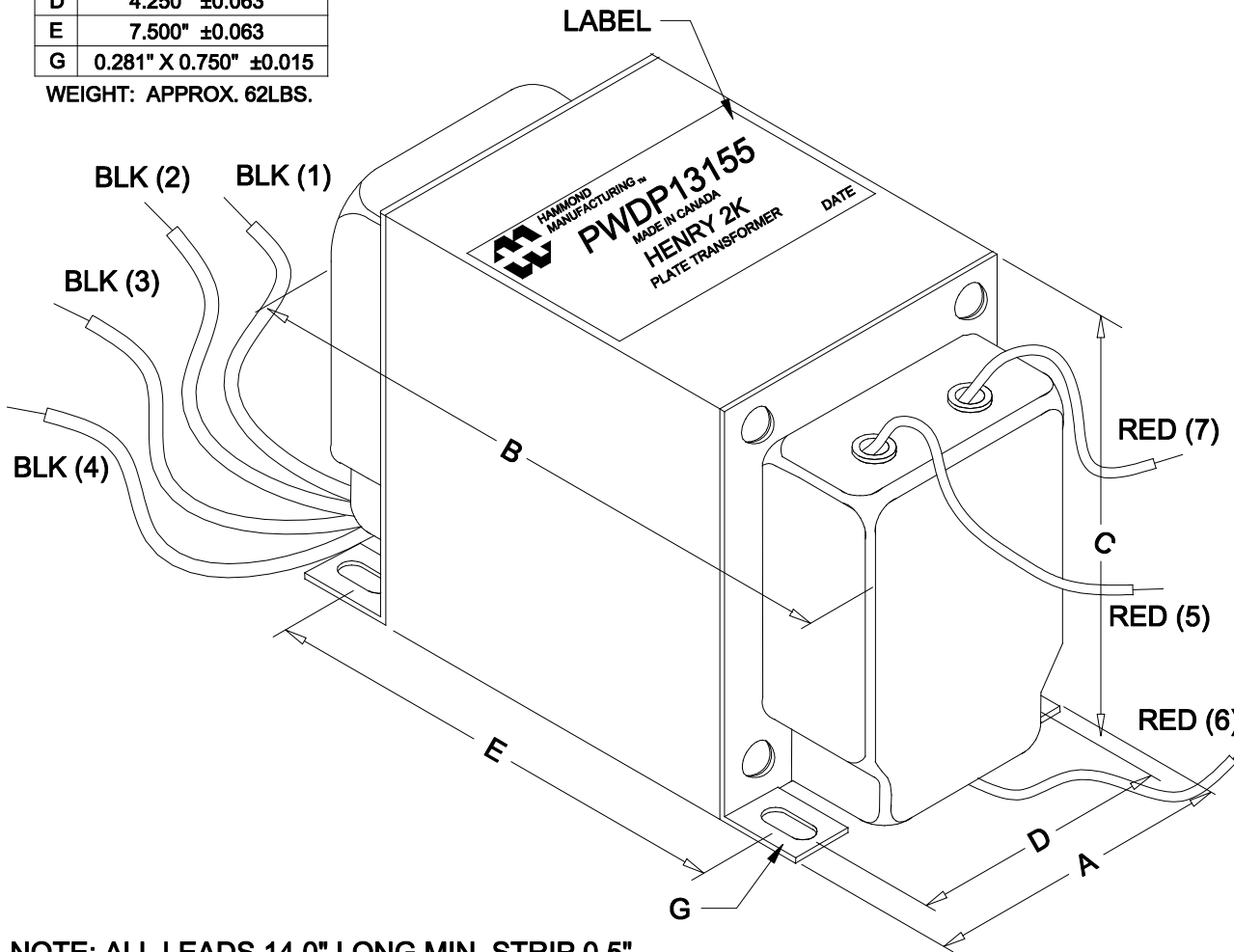


DIMENSIONS:	
A	5.313" ±0.063
B	9.096" ±0.125
C	6.375" ±0.063
D	4.250" ±0.063
E	7.500" ±0.063
G	0.281" X 0.750" ±0.015

WEIGHT: APPROX. 62LBS.



NOTE: ALL LEADS 14.0" LONG MIN. STRIP 0.5".

REV.#	REVISION	DATE	HAMMOND MANUFACTURING™		ELECTRONIC DIVISION	
0	RELEASED.	C.I. 01/14/19	52 RANKIN PLACE, WATERLOO, ONTARIO, N2J 3Z5		PH # (519) 886-6181 FAX # (519) 886-9540	
			DWG. BY: C. ILIE	CHK'D BY:	TITLE: HENRY 2K PLATE TRANSFORMER	DWG. NO. PWDP13155
			DATE: 01/14/19	APP'D. BY:		
				DIMENSIONS: IN(X) MM()		