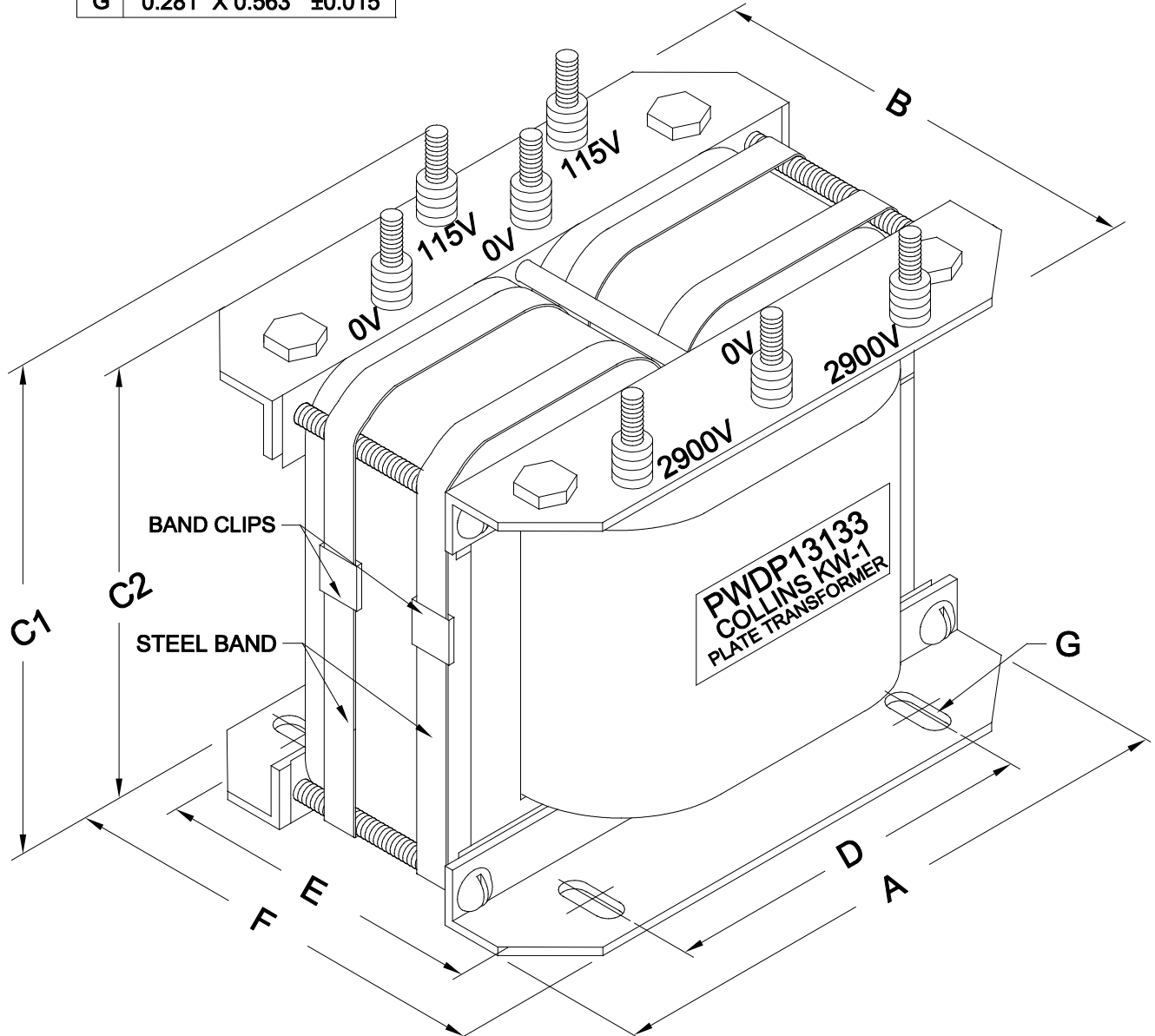
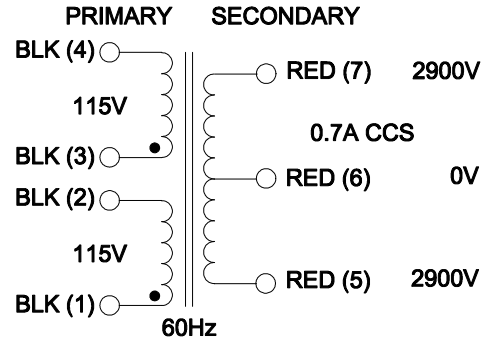


DIMENSIONS:	
A	8.000" ±0.063
B	7.813" ±0.250
C1	8.625" ±0.125
C2	7.125" ±0.125
D	5.500" ±0.125
E	3.937" ±0.063
F	4.813" ±0.063
G	0.281" X 0.563" ±0.015



ELECTRONIC DIVISION
 52 RANKIN PLACE,
 WATERLOO, ONTARIO, N2J 3Z5
 PH # (519) 886-6181
 FAX # (519) 886-9540

TITLE
**COLLINS KW-1
 PLATE TRANSFORMER**

NO	DATE	REVISION	DWG. BY
0	11/30/17	RELEASED.	C. ILIE
			DATE
			11/30/17
			DIM IN(X)MM()

PWDP13133