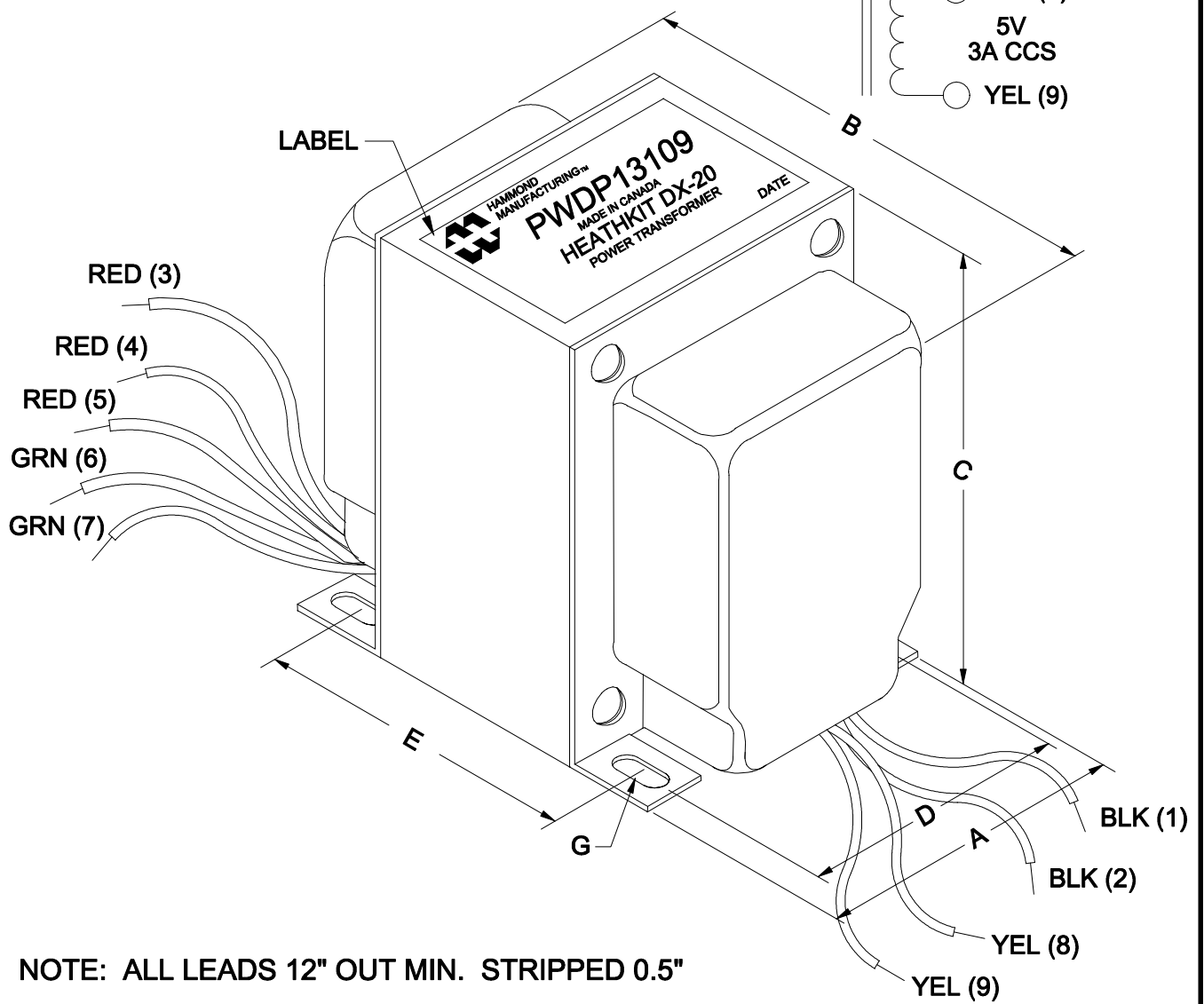
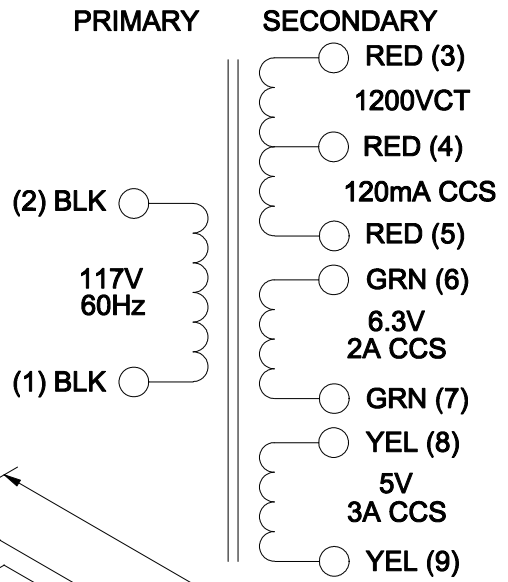


DIMENSIONS:	
A	3.125" ±0.063
B	3.936" ±0.125
C	3.795" ±0.063
D	2.500" ±0.063
E	2.688" ±0.063
G	0.203" x 0.400" ±0.015



NOTE: ALL LEADS 12" OUT MIN. STRIPPED 0.5"



ELECTRONIC DIVISION
 52 RANKIN PLACE,
 WATERLOO, ONTARIO, N2J 3Z5
 PH # (519) 886-6181
 FAX # (519) 886-9540

TITLE
HEATHKIT DX-20
 MAIN POWER TRANSFORMER

NO	DATE	REVISION	DWG. BY
0	04/17/17	RELEASED. C.I.	C. ILIE
			DATE
			04/17/17
			DIM IN()MM()

PWDP13109