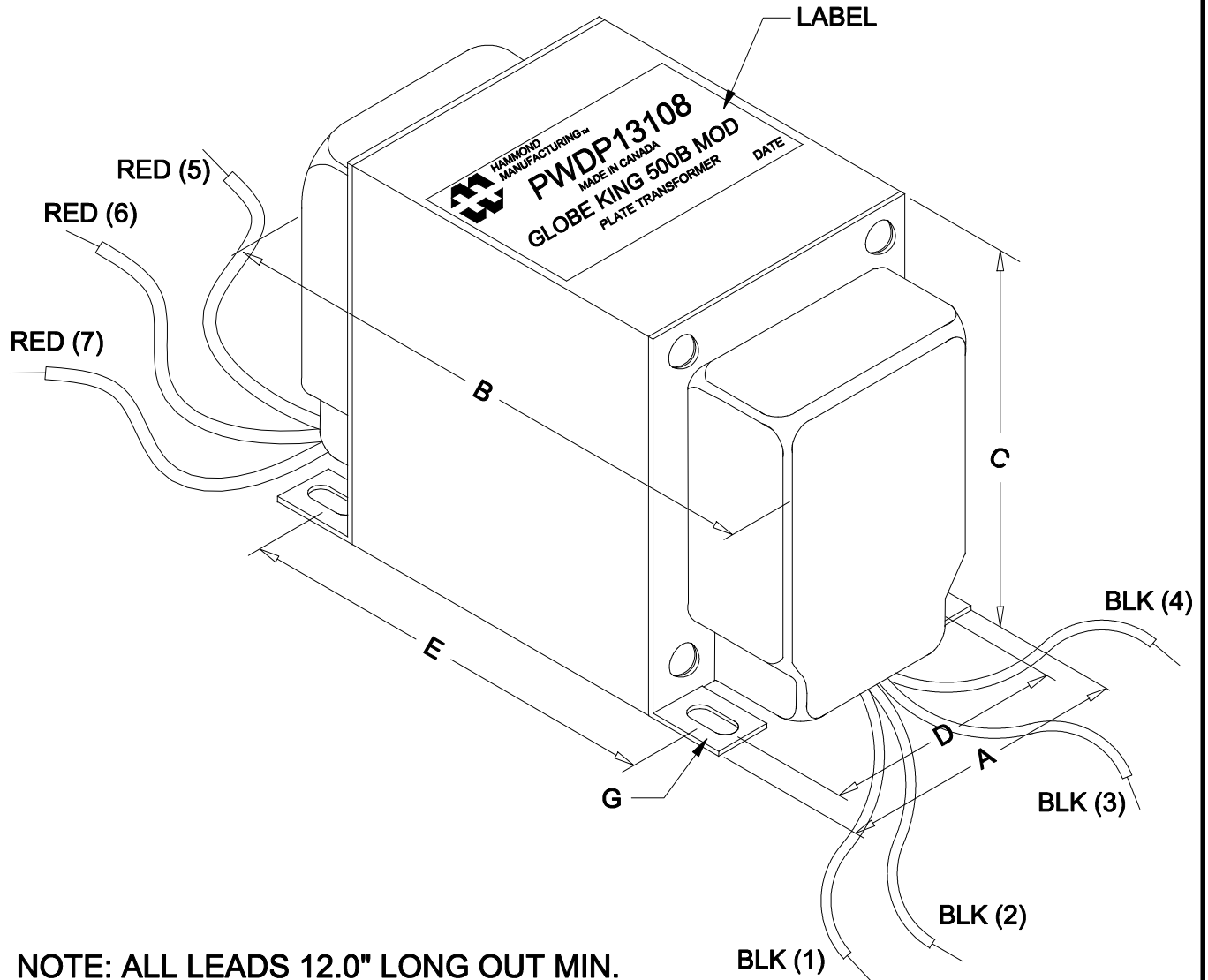
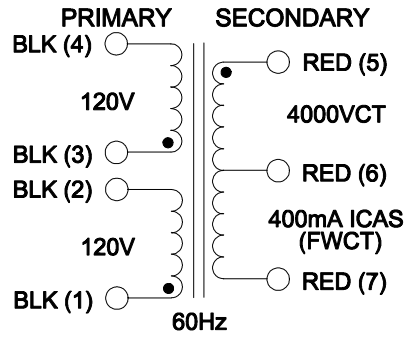


DIMENSIONS:	
A	4.375" ±0.063
B	8.125" ±0.125
C	5.300" ±0.063
D	3.500" ±0.063
E	6.500" ±0.063
G	0.281" X 0.625" ±0.063



NOTE: ALL LEADS 12.0" LONG OUT MIN.



ELECTRONIC DIVISION
52 RANKIN PLACE,
WATERLOO, ONTARIO, N2J 3Z5
PH # (519) 886-6181
FAX # (519) 886-9540

TITLE
PETER DAHL
GLOBE KING 500B MOD

NO	DATE	REVISION	DWG. BY
0	04/13/17	RELEASED.	C. ILIE
			DATE
			04/13/17
			DIM IN()MM()

PWDP13108