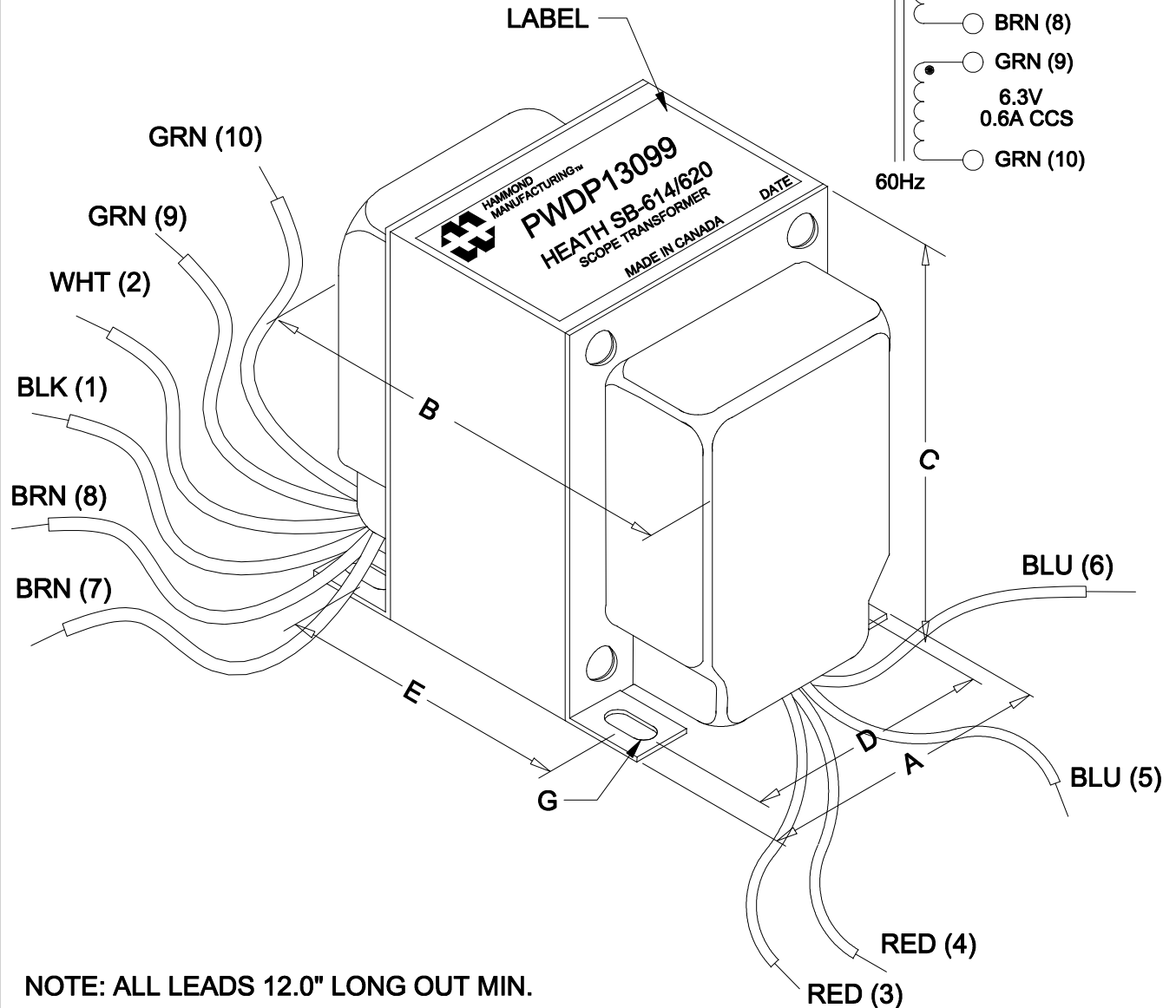
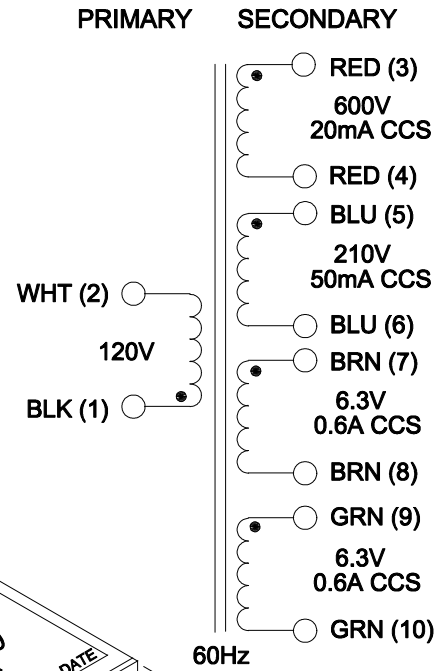


DIMENSIONS:	
A	2.500" ±0.063
B	3.185" ±0.125
C	3.046" ±0.063
D	2.000" ±0.063
E	2.188" ±0.063
G	0.203" X 0.375" ±0.015



NOTE: ALL LEADS 12.0" LONG OUT MIN.



ELECTRONIC DIVISION
 52 RANKIN PLACE,
 WATERLOO, ONTARIO, N2J 3Z5
 PH # (519) 886-6181
 FAX # (519) 886-9540

TITLE
HEATH SB-614/620
 SCOPE TRANSFORMER
 P/N 54-182 STATION MONITOR SCOPE POWER

NO	DATE	REVISION	DWG. BY
0	09/20/16	RELEASED.	C. ILIE
1	07/05/18	REVISED LEAD COLOURS.	C.I.
			DATE
			09/20/16
			DIM IN(X)MM()

PWDP13099