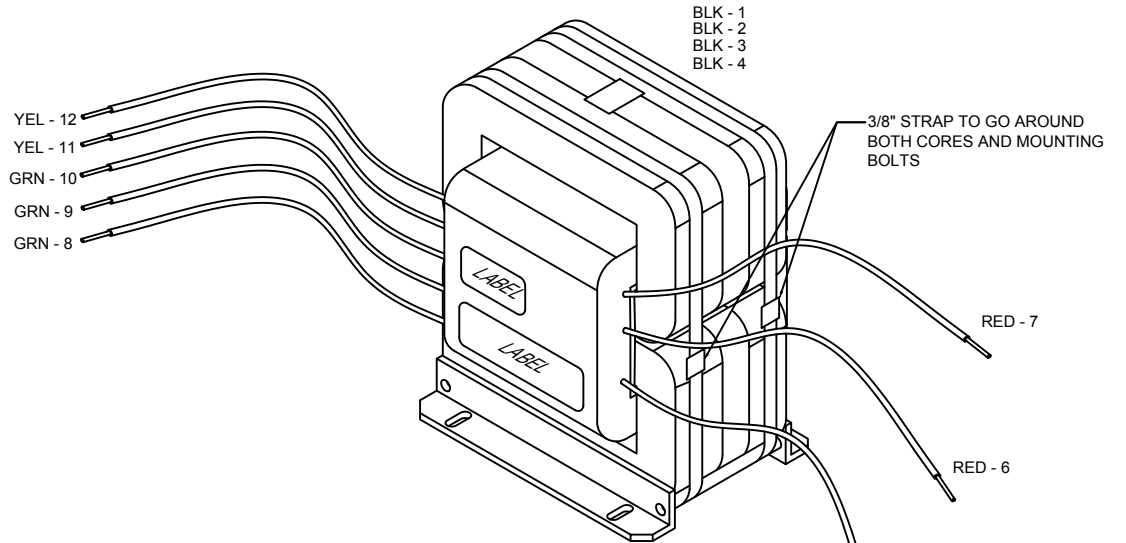
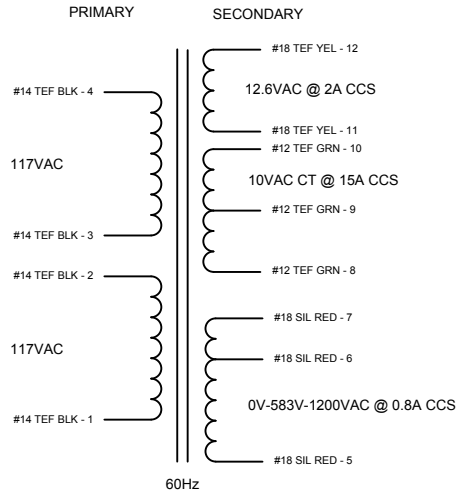
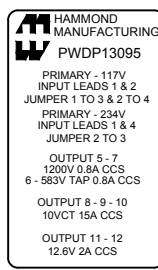
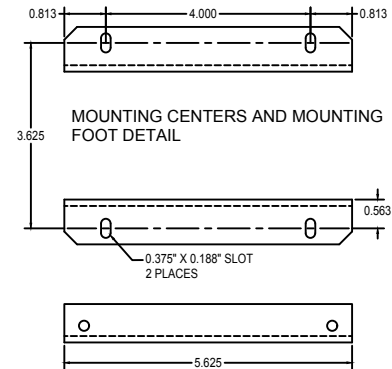


WIRES NOT SHOWN IN THIS VIEW

SCHEMATIC DIAGRAM



NOTE: ALL LEADS 18" OUT MIN., STRIPPED .5"



PROPERTY AND COPYRIGHT NOTICE

THIS DRAWING AND THE INFORMATION IT CONVEYS ARE THE PROPERTY OF HAMMOND MANUFACTURING. IT MAY NOT BE REPRODUCED, TRANSMITTED OR USED IN ANY MANNER WHATSOEVER WITHOUT THE WRITTEN PERMISSION OF HAMMOND MANUFACTURING.

REV	NOTES	BY	DATE	REV	NOTES	BY	DATE
0	RELEASED.					CI	10/25/16

		ELECTRONIC DIVISION 32 RANKIN PLACE, WATERLOO, ONTARIO, N2J 3Z5 PHONE: 519.886.6181 FAX: 519.886.9540	
SWAN MARK II POWER TRANSFORMER			
DRAWN	DATE	NUMBER	
C. ILIE	10/25/16	PWDP13095	
APPROVED	DATE		