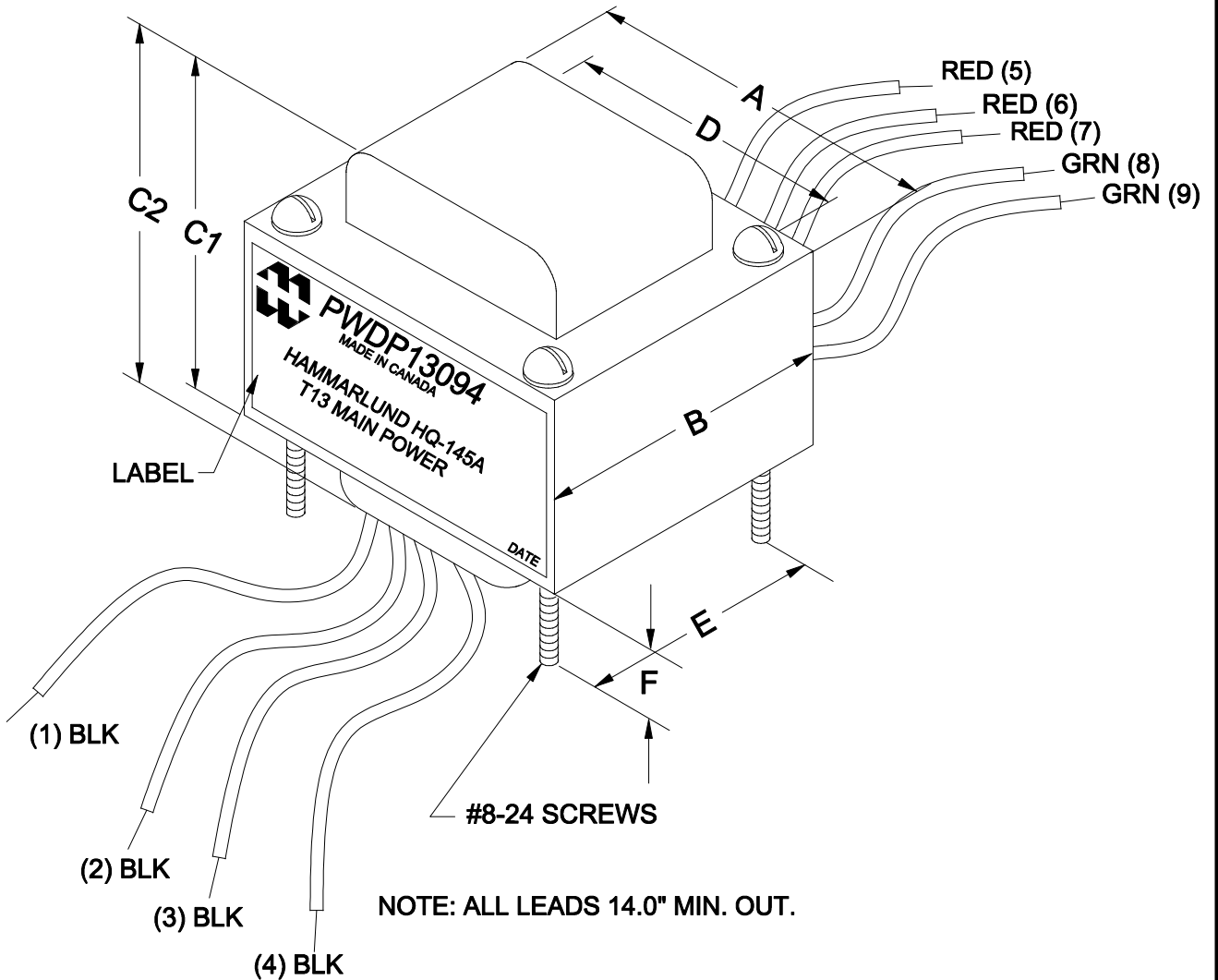
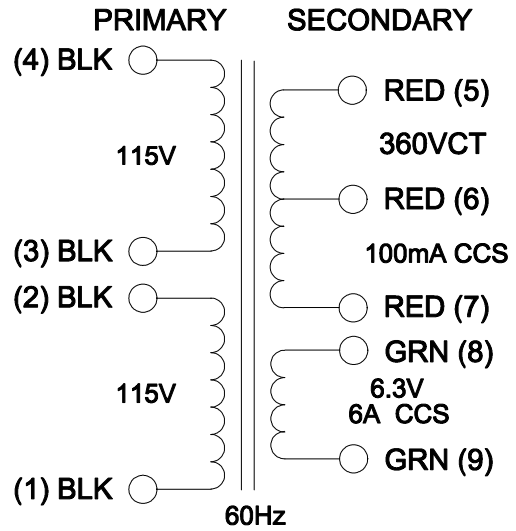


DIMENSIONS:	
A	3.375" ±0.063
B	2.813" ±0.063
C1	2.640" ±0.125
C2	3.375" ±0.125
D	2.813" ±0.063
E	2.250" ±0.063
F	1.000" ±0.063



HAMMOND MANUFACTURING
ELECTRONIC DIVISION
 52 RANKIN PLACE,
 WATERLOO, ONTARIO, N2J 3Z5
 PH # (519) 886-6181
 FAX # (519) 886-9540

TITLE
HAMMARLUND HQ-145A
T13 MAIN POWER TRANSFORMER

NO	DATE	REVISION	DWG. BY
0	06/30/16	RELEASED.	C.I.
			DATE
			06/30/16
			DIM IN()MM()

PWDP13094