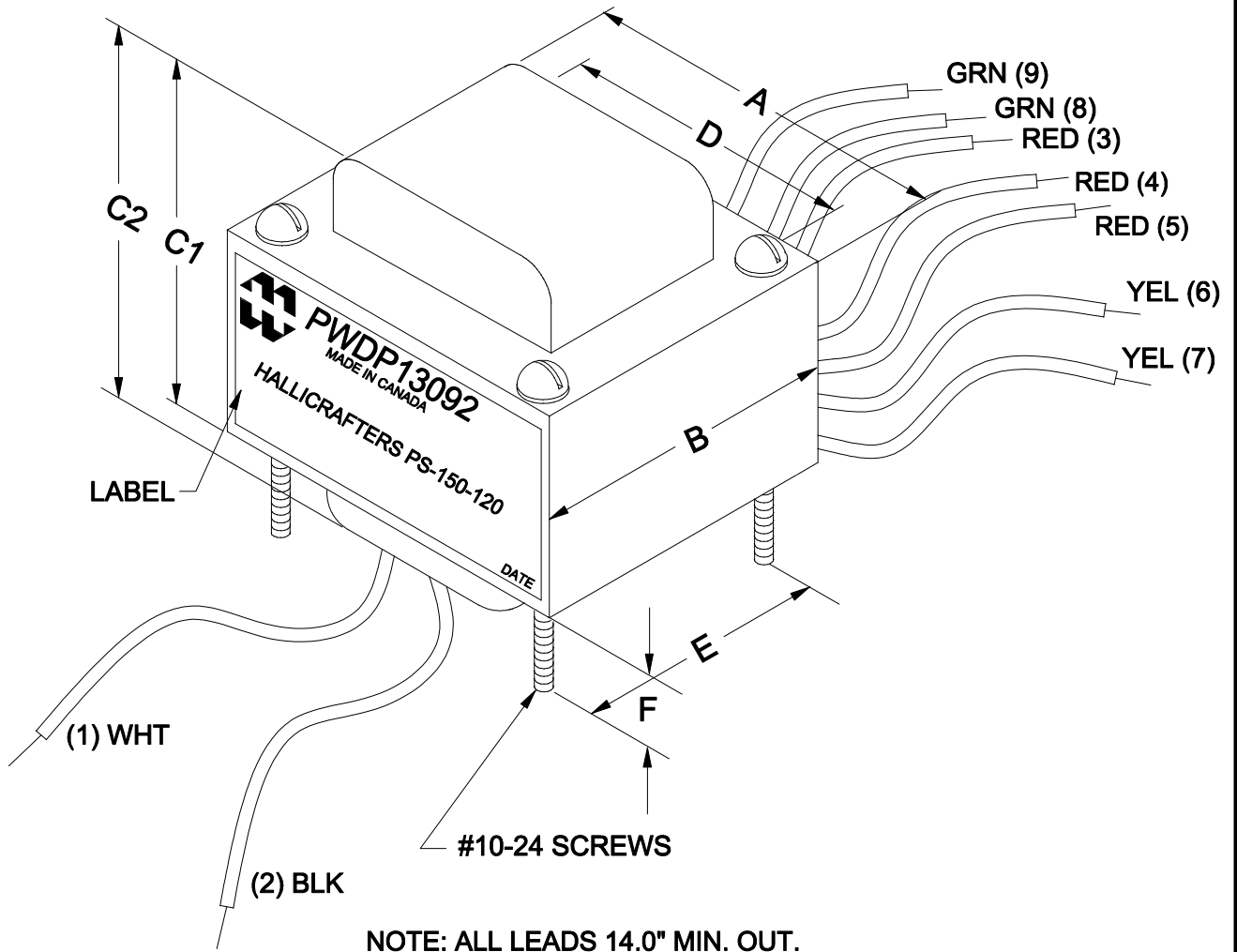
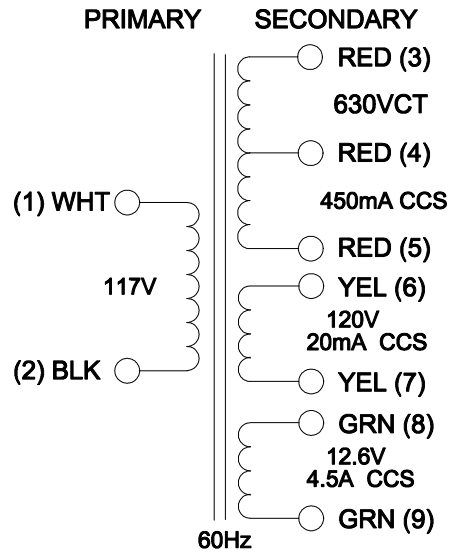


DIMENSIONS:	
A	5.250" ±0.063
B	4.375" ±0.063
C1	3.250" ±0.125
C2	4.600" ±0.125
D	4.375" ±0.063
E	3.500" ±0.063
F	1.500" ±0.063



NOTE: ALL LEADS 14.0" MIN. OUT.



ELECTRONIC DIVISION
 52 RANKIN PLACE,
 WATERLOO, ONTARIO, N2J 3Z5
 PH # (519) 886-6181
 FAX # (519) 886-9540

TITLE
**HALLICRAFTERS PS-150-120
 POWER TRANSFORMER**

NO	DATE	REVISION	DWG. BY
0	05/24/16	RELEASED. C.I.	CORINA ILIE
			DATE
			05/24/16
			DIM IN()MM()

PWDP13092