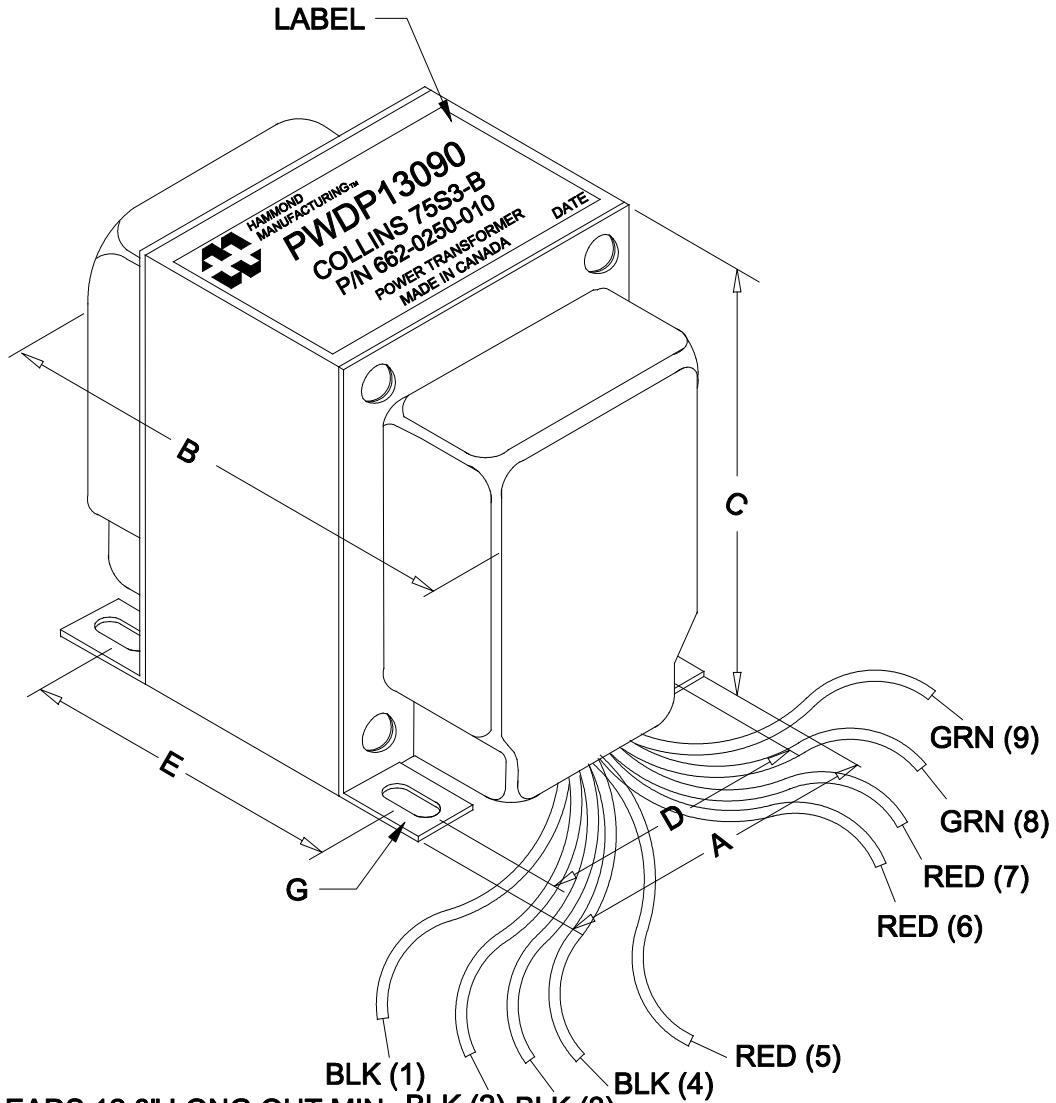
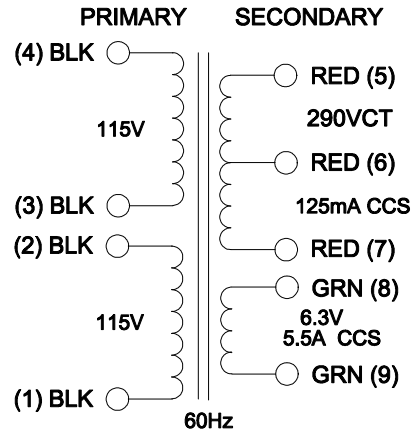


DIMENSIONS:	
A	2.813" ±0.063
B	3.560" ±0.125
C	3.421" ±0.063
D	2.250" ±0.063
E	2.375" ±0.063
G	0.203" X 0.375" ±0.015



NOTE: ALL LEADS 12.0" LONG OUT MIN. BLK (2) BLK (3)



ELECTRONIC DIVISION
 52 RANKIN PLACE,
 WATERLOO, ONTARIO, N2J 3Z5
 PH # (519) 886-6181
 FAX # (519) 886-9540

TITLE
**COLLINS 75S3-B
 POWER TRANSFORMER**

NO	DATE	REVISION	DWG. BY
0	05/30/16	RELEASED. C.I.	CORINA ILIE
1	03/30/17	CORRECTED "D" DIMENSION. C.I.	DATE
			05/30/16
			DIM IN(∅)MM()

PWDP13090