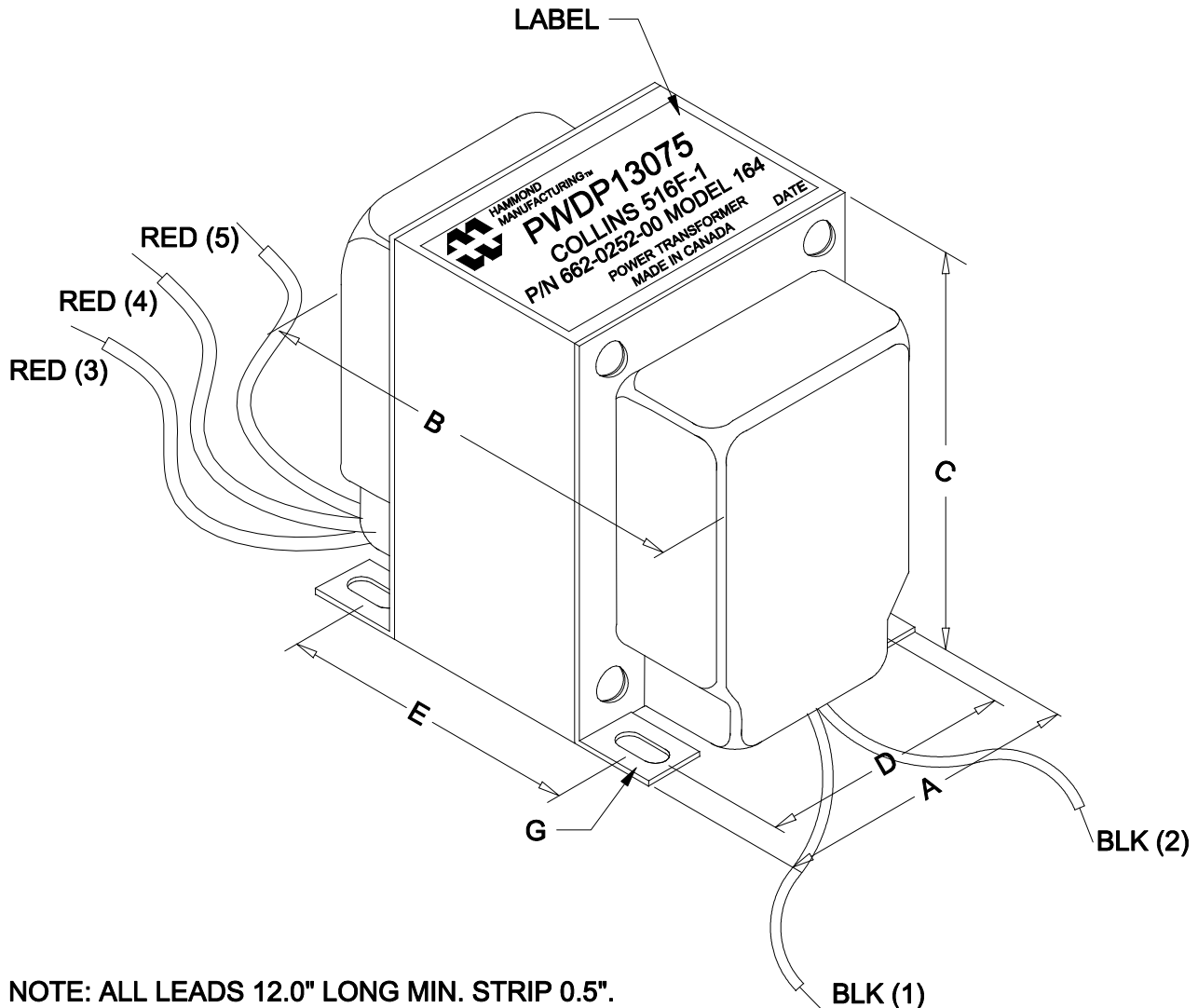
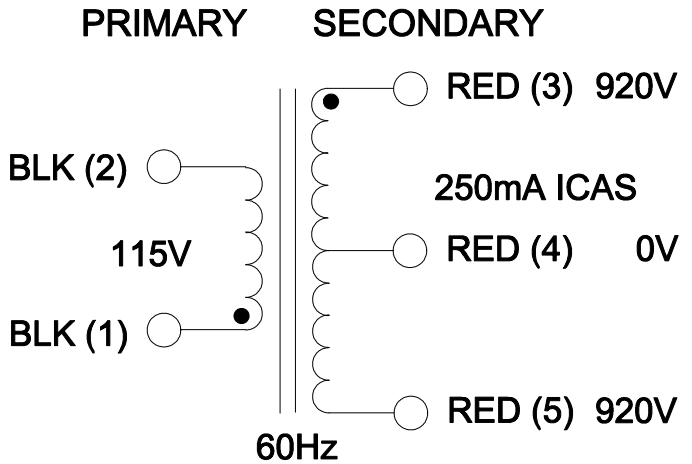


DIMENSIONS:	
A	3.750" ±0.063
B	3.935" ±0.125
C	4.530" ±0.063
D	3.000" ±0.063
E	2.813" ±0.063
G	0.203" X 0.375" ±0.015



NOTE: ALL LEADS 12.0" LONG MIN. STRIP 0.5".



ELECTRONIC DIVISION
 52 RANKIN PLACE,
 WATERLOO, ONTARIO, N2J 3Z5
 PH # (519) 886-6181
 FAX # (519) 886-9540

TITLE
COLLINS 516F-1
POWER TRANSFORMER

NO	DATE	REVISION	DWG. BY
0	01/26/16	RELEASED. C.I.	CORINA ILIE
			DATE
			01/26/16
			DIM IN()MM()

EDBPWDP13075