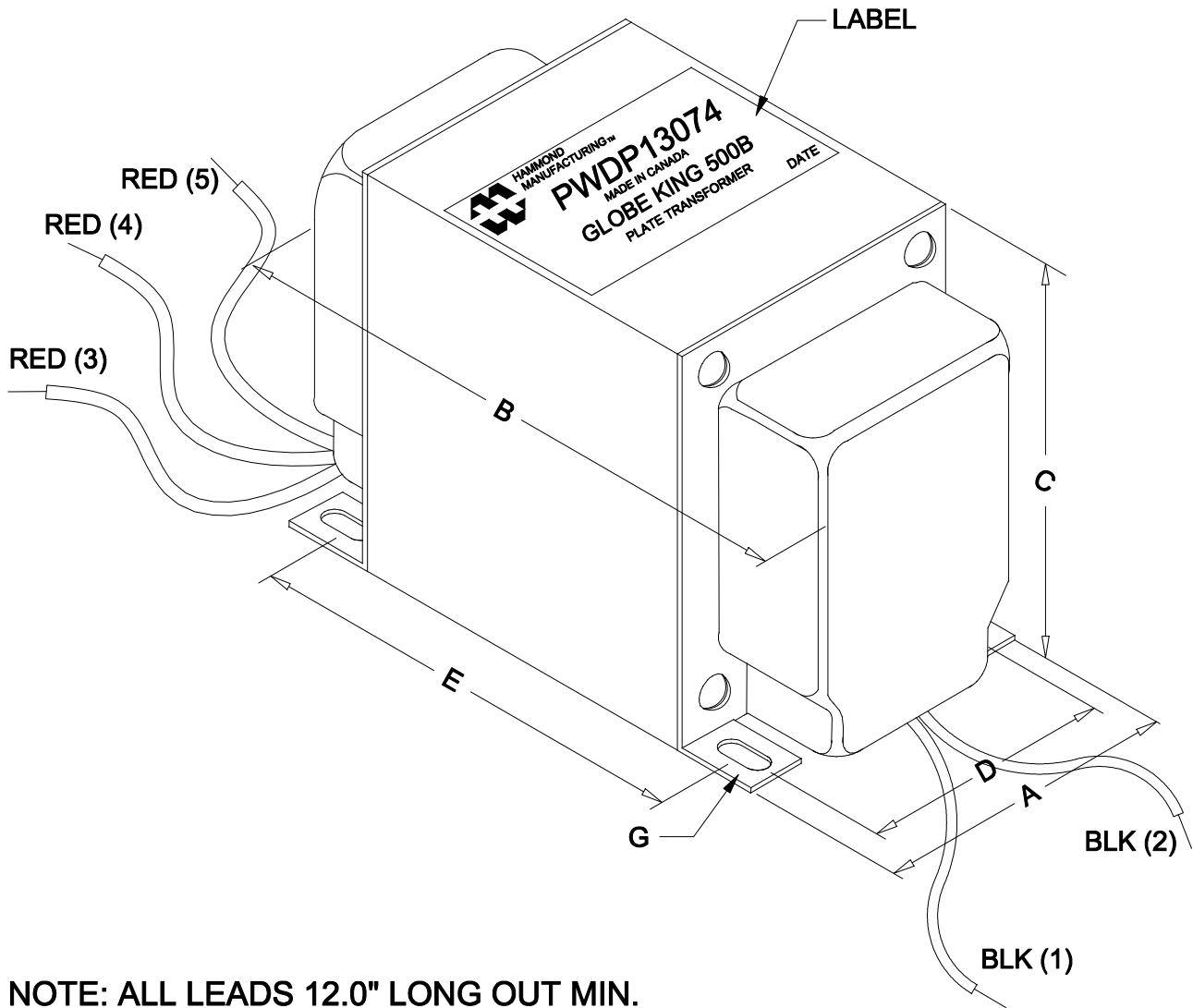
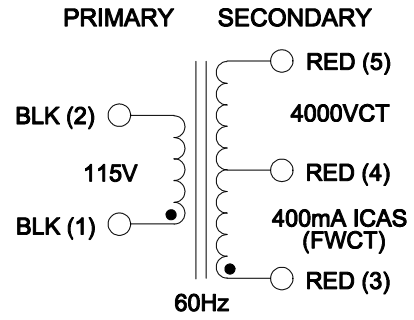


DIMENSIONS:	
A	4.375" ±0.063
B	8.125" ±0.125
C	5.300" ±0.063
D	3.500" ±0.063
E	6.500" ±0.063
G	0.281" X 0.625" ±0.063



NOTE: ALL LEADS 12.0" LONG OUT MIN.



ELECTRONIC DIVISION
 52 RANKIN PLACE,
 WATERLOO, ONTARIO, N2J 3Z5
 PH # (519) 886-6181
 FAX # (519) 886-9540

TITLE
PETER DAHL
GLOBE KING 500B PLATE

NO	DATE	REVISION	DWG. BY
0	02/24/16	RELEASED. C.I.	CORINA ILIE
			DATE
			02/24/16
			DIM IN(∅)MM()

PWDP13074