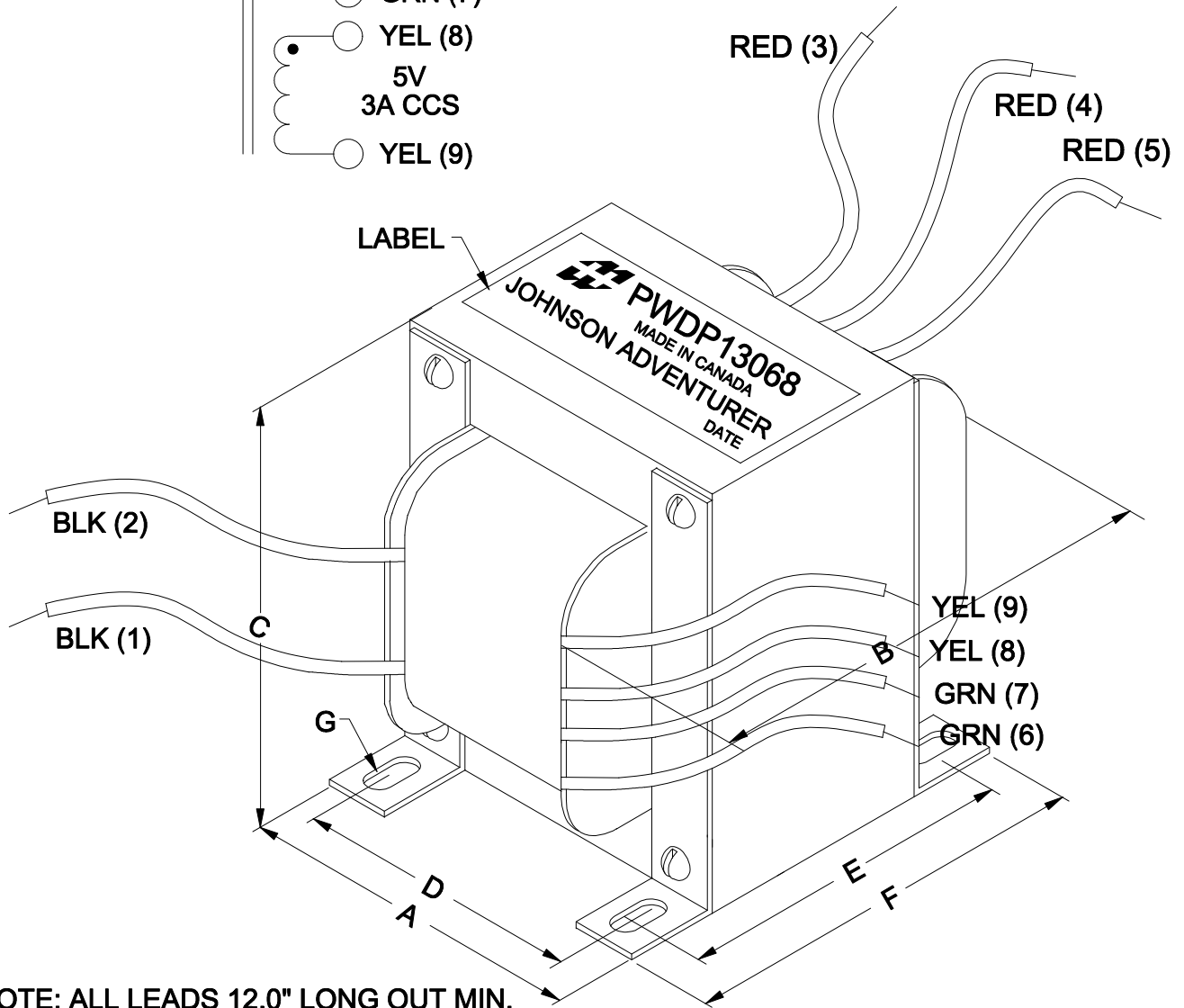


DIMENSIONS:

A	3.125" ±0.063
B	3.188" ±0.125
C	3.750" ±0.063
D	2.500" ±0.063
E	2.750" ±0.063
F	3.313" ±0.063
G	0.203" X 0.375" ±0.015



NOTE: ALL LEADS 12.0" LONG OUT MIN.



ELECTRONIC DIVISION
 52 RANKIN PLACE,
 WATERLOO, ONTARIO, N2J 3Z5
 PH # (519) 886-6181
 FAX # (519) 886-9540

TITLE
**JOHNSON ADVENTURER
 POWER TRANSFORMER**

NO	DATE	REVISION	DWG. BY
0	09/06/18	RELEASED.	C. ILIE
			DATE
			09/06/18
			DIM IN(X)MM()

PWDP13068