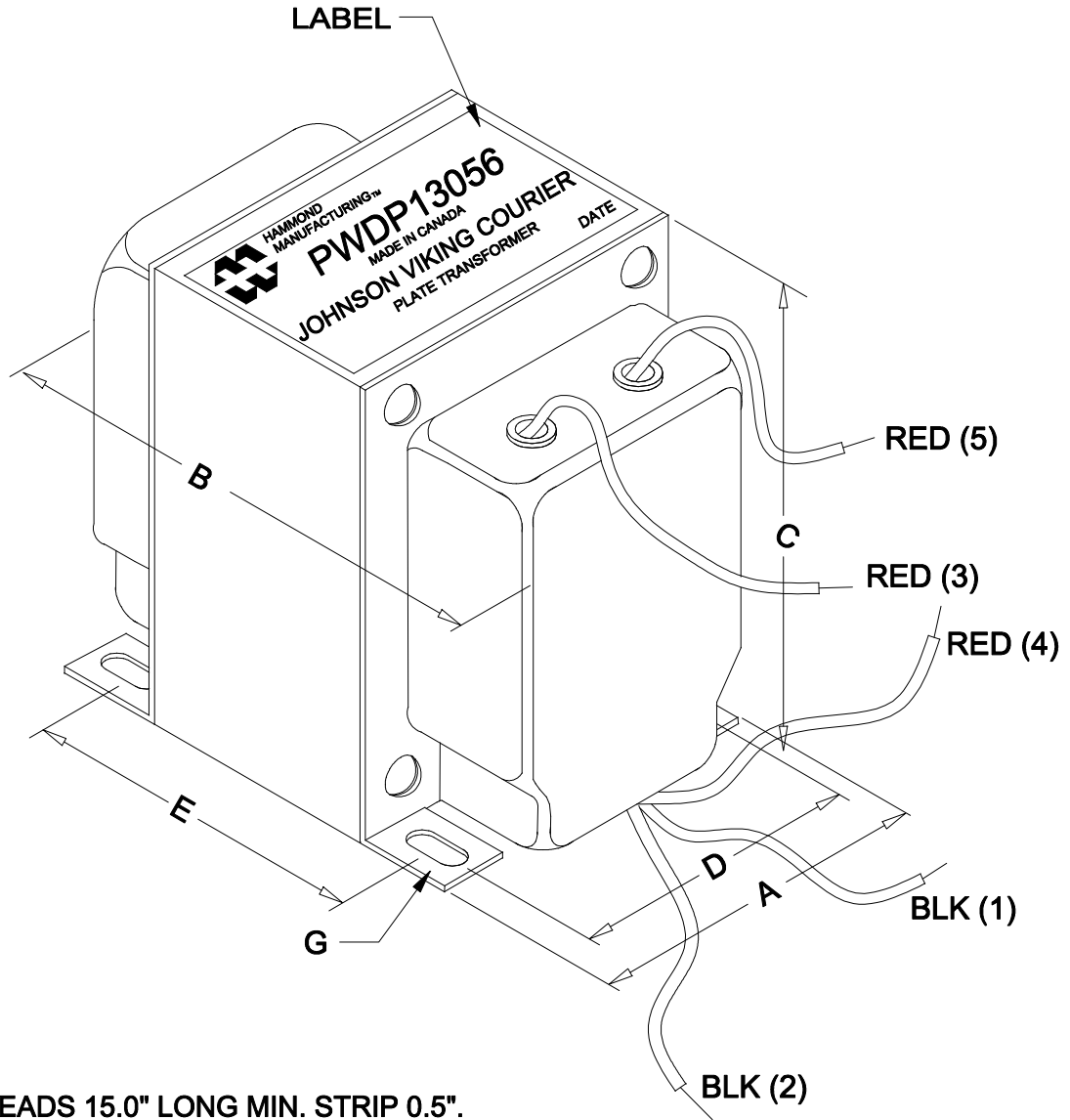
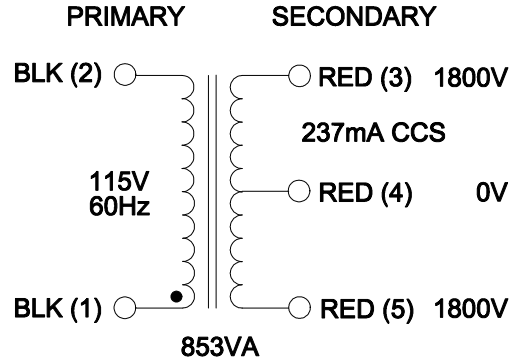


DIMENSIONS:	
A	4.375" ±0.063
B	6.096" ±0.125
C	5.250" ±0.063
D	3.500" ±0.063
E	4.500" ±0.063
G	0.281" X 0.625" ±0.015



NOTE: ALL LEADS 15.0" LONG MIN. STRIP 0.5".



ELECTRONIC DIVISION
 52 RANKIN PLACE,
 WATERLOO, ONTARIO, N2J 3Z5
 PH # (519) 886-6181
 FAX # (519) 886-9540

TITLE: JOHNSON VIKING COURIER
 PLATE TRANSFORMER

NO	DATE	REVISION	DWG. BY
0	09/08/15	RELEASED. C.I.	CORINA ILIE
			DATE
			09/08/15
			DIM IN(Ø)MM()

PWDP13056