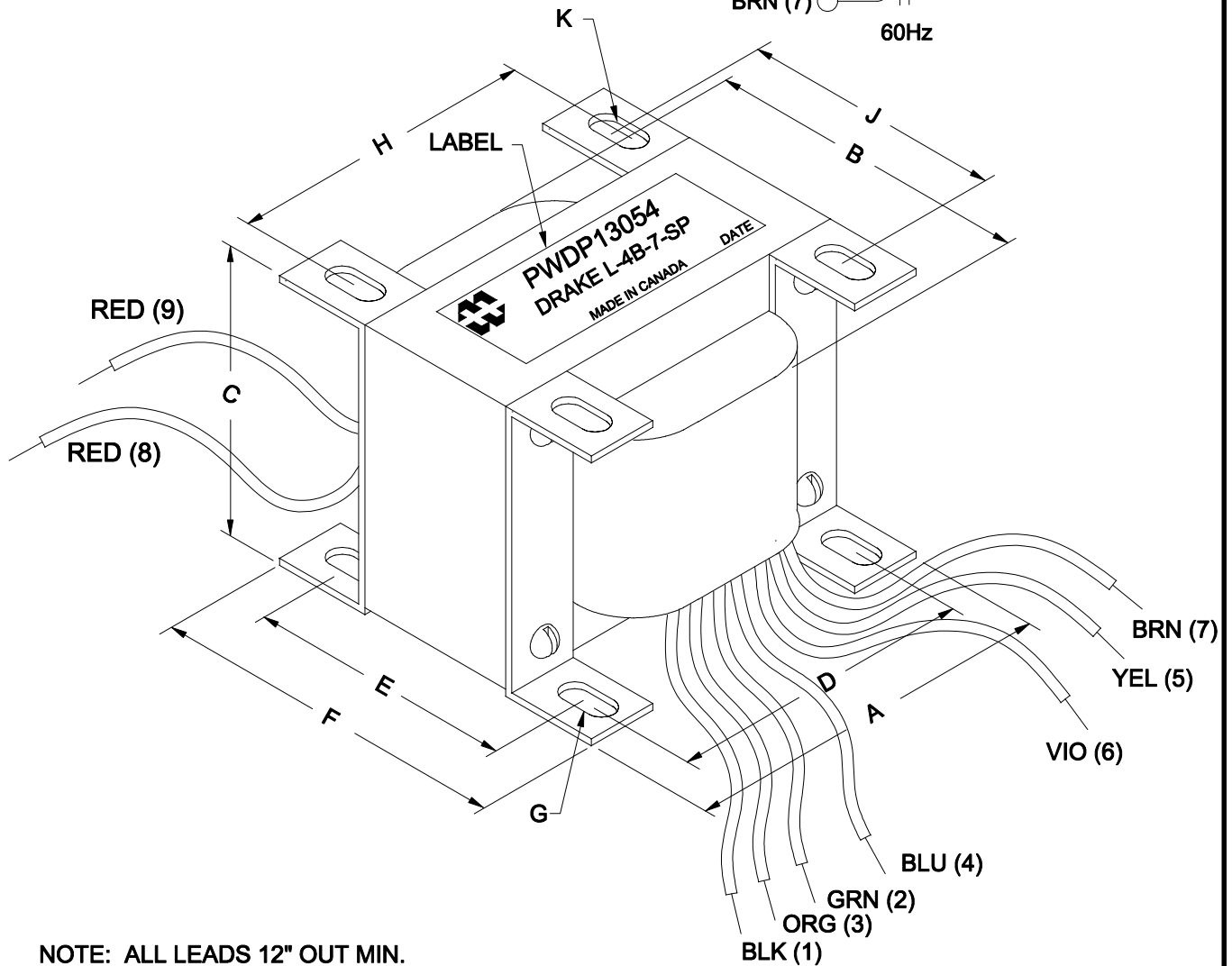
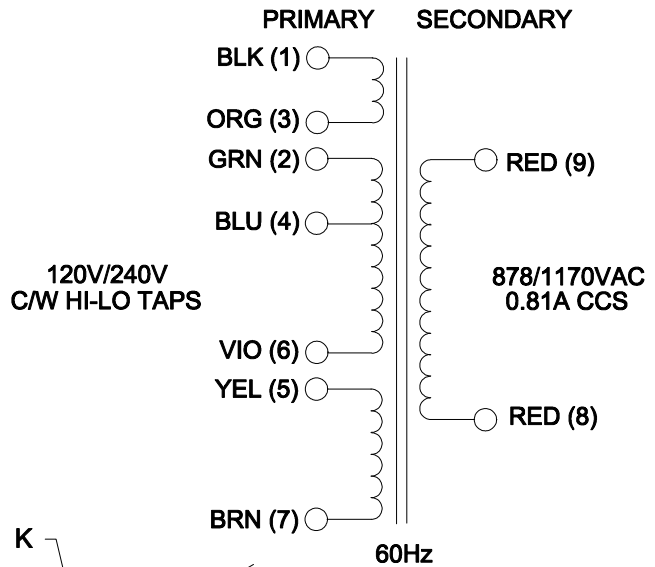


DIMENSIONS:	
A	6.375" ±0.063
B	5.625" ±0.125
C	5.313" ±0.063
D	5.313" ±0.063
E	4.125" ±0.063
F	5.250" ±0.063
G	0.281" X 0.563" ±0.015
H	5.313" ±0.063
J	4.125" ±0.063
K	0.281" X 0.563" ±0.015



**ELECTRONIC DIVISION**  
52 RANKIN PLACE,  
WATERLOO, ONTARIO, N2J 3Z5  
PH # (519) 886-6181  
FAX # (519) 886-9540

TITLE  
**PWDP13054**

NO	DATE	REVISION	DWG. BY
0	04/08/15	RELEASED.	C.I. CORINA ILIE
			DATE 04/08/15
			DIM IN( )MM( )

EDBPWDP13054