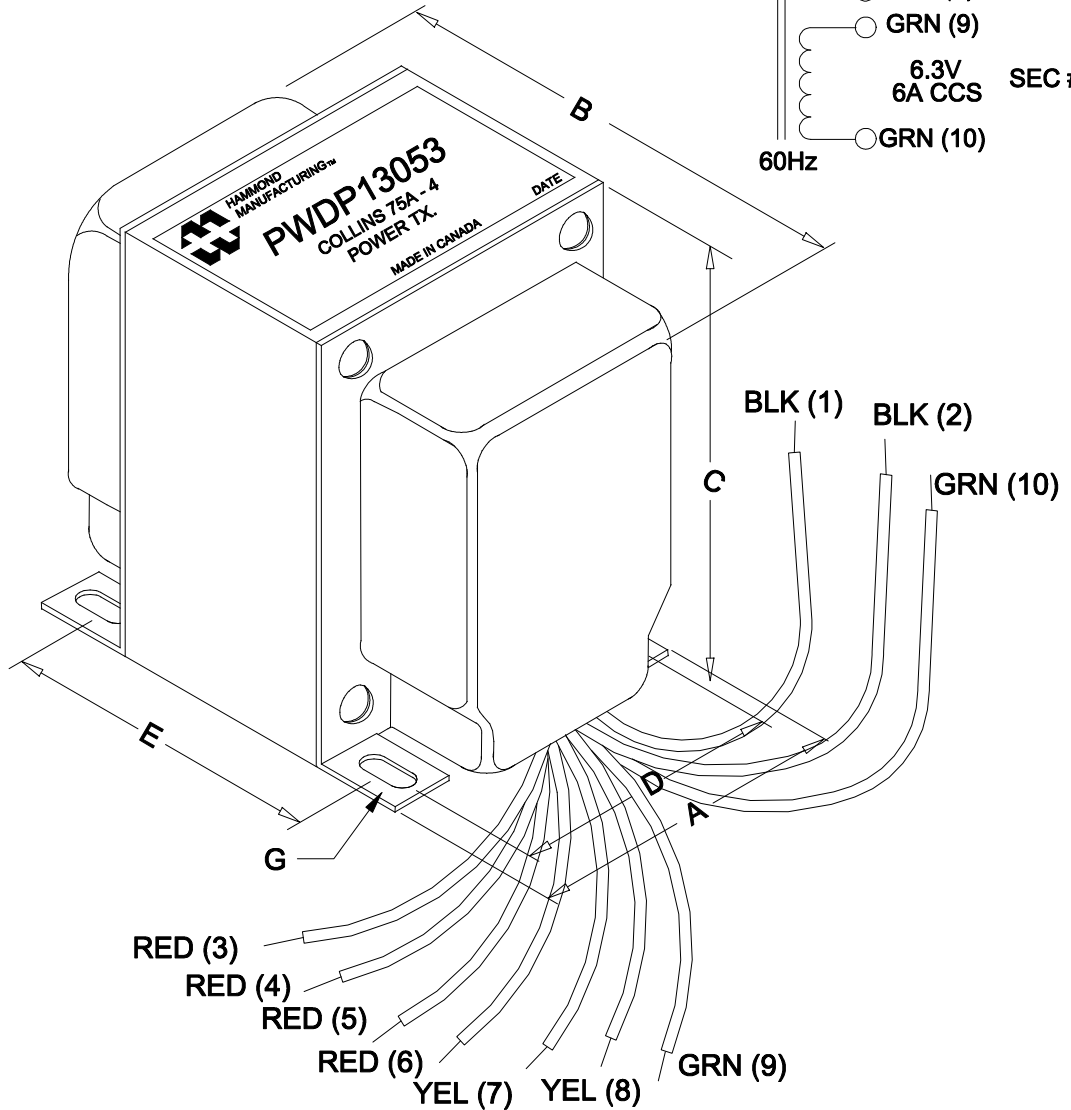
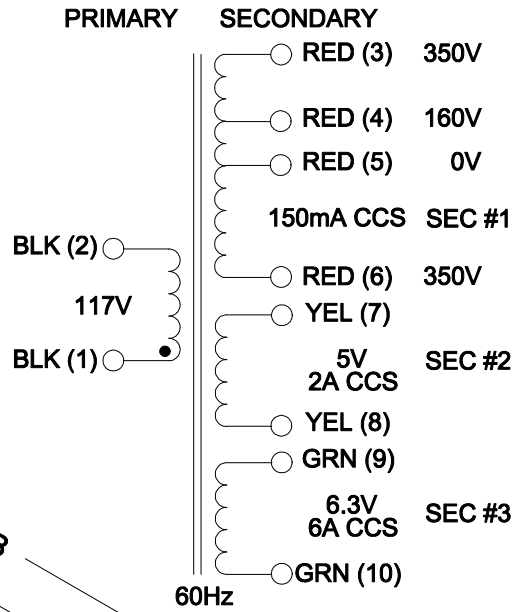


DIMENSIONS:	
A	3.125" ±0.063
B	3.936" ±0.125
C	3.795" ±0.063
D	2.500" ±0.063
E	2.688" ±0.063
G	0.281" X 0.562" ±0.015



NOTE: ALL LEADS 12.0" LONG MIN. STRIP 0.5".



ELECTRONIC DIVISION
 52 RANKIN PLACE,
 WATERLOO, ONTARIO, N2J 3Z5
 PH # (519) 886-6181
 FAX # (519) 886-9540

TITLE PWDP13053

NO	DATE	REVISION	DWG. BY
0	03/06/15	RELEASED. C.I.	CORINA ILIE
			DATE
			03/06/15
			DIM IN()MM()

EDBPWDP13053