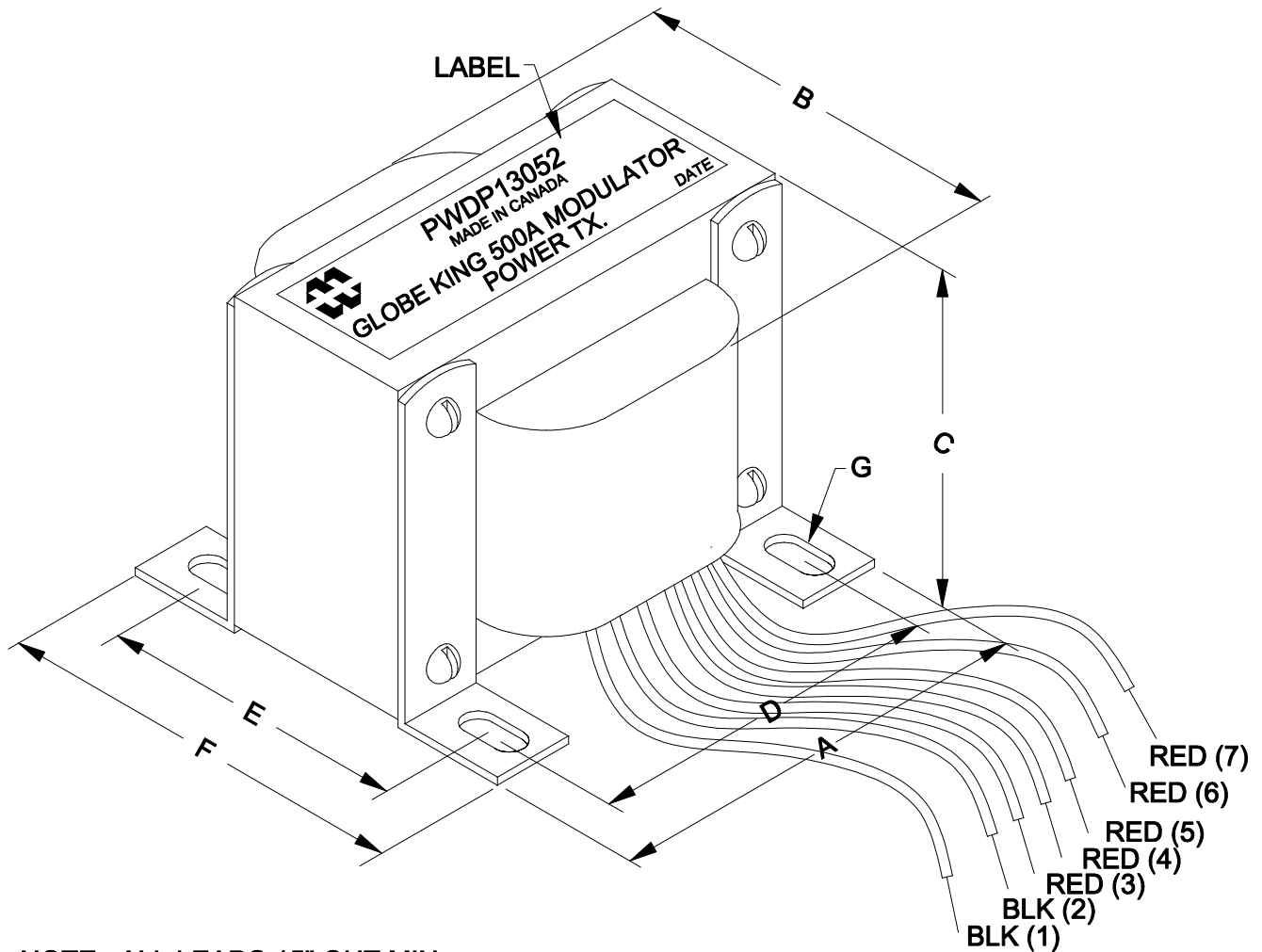
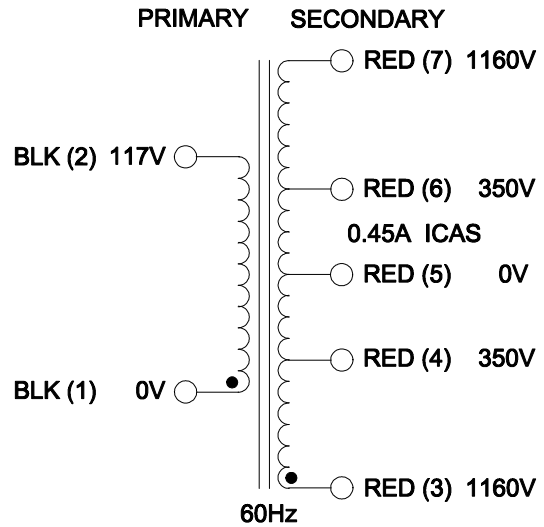


DIMENSIONS:	
A	5.750" ±0.063
B	5.150" ±0.125
C	4.250" ±0.063
D	4.938" ±0.063
E	3.125" ±0.063
F	4.250" ±0.063
G	0.281" X 0.563" ±0.015



NOTE: ALL LEADS 15" OUT MIN.



**ELECTRONIC DIVISION**  
52 RANKIN PLACE,  
WATERLOO, ONTARIO, N2J 3Z5  
PH # (519) 886-6181  
FAX # (519) 886-9540

TITLE  
PETER W. DAHL  
GLOBE KING 500A MODULATOR

NO	DATE	REVISION	DWG. BY
0	10/02/15	RELEASED.      C.I.	CORINA ILIE
			DATE
			10/02/15
			DIM IN( )MM( )

EDBPWDP13052