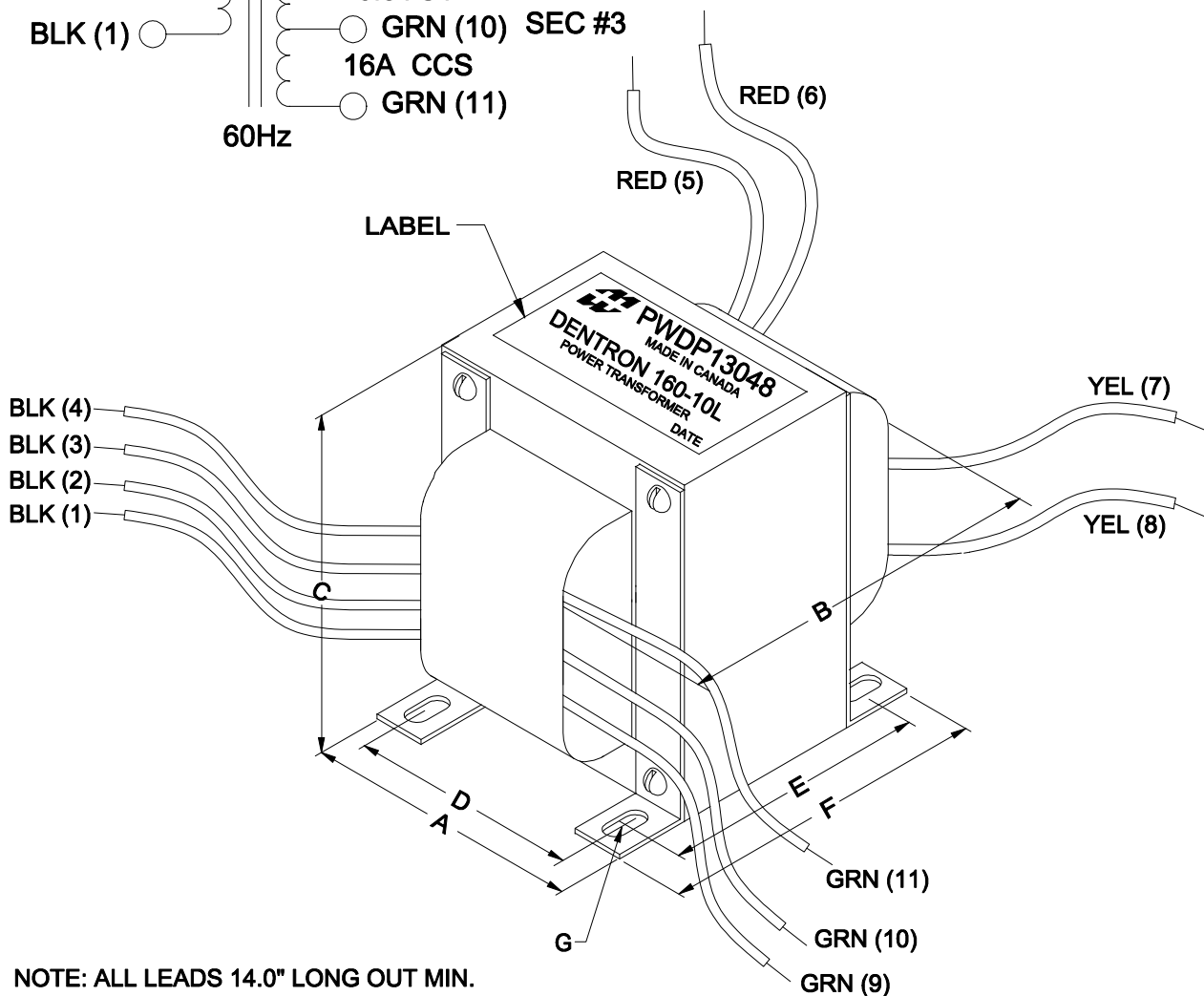


DIMENSIONS:	
A	4.250" ±0.063
B	6.150" ±0.125
C	5.750" ±0.063
D	3.438" ±0.063
E	4.125" ±0.063
F	5.250" ±0.063
G	0.281" X 0.562" ±0.015



NOTE: ALL LEADS 14.0" LONG OUT MIN.



ELECTRONIC DIVISION
52 RANKIN PLACE,
WATERLOO, ONTARIO, N2J 3Z5
PH # (519) 886-6181
FAX # (519) 886-9540

TITLE

PWDP13048

NO	DATE	REVISION	DWG. BY
0	01/15/15	RELEASED.	C.I. CORINA ILIE
			DATE 01/15/15
			DIM IN()MM()

EDBPWDP13048