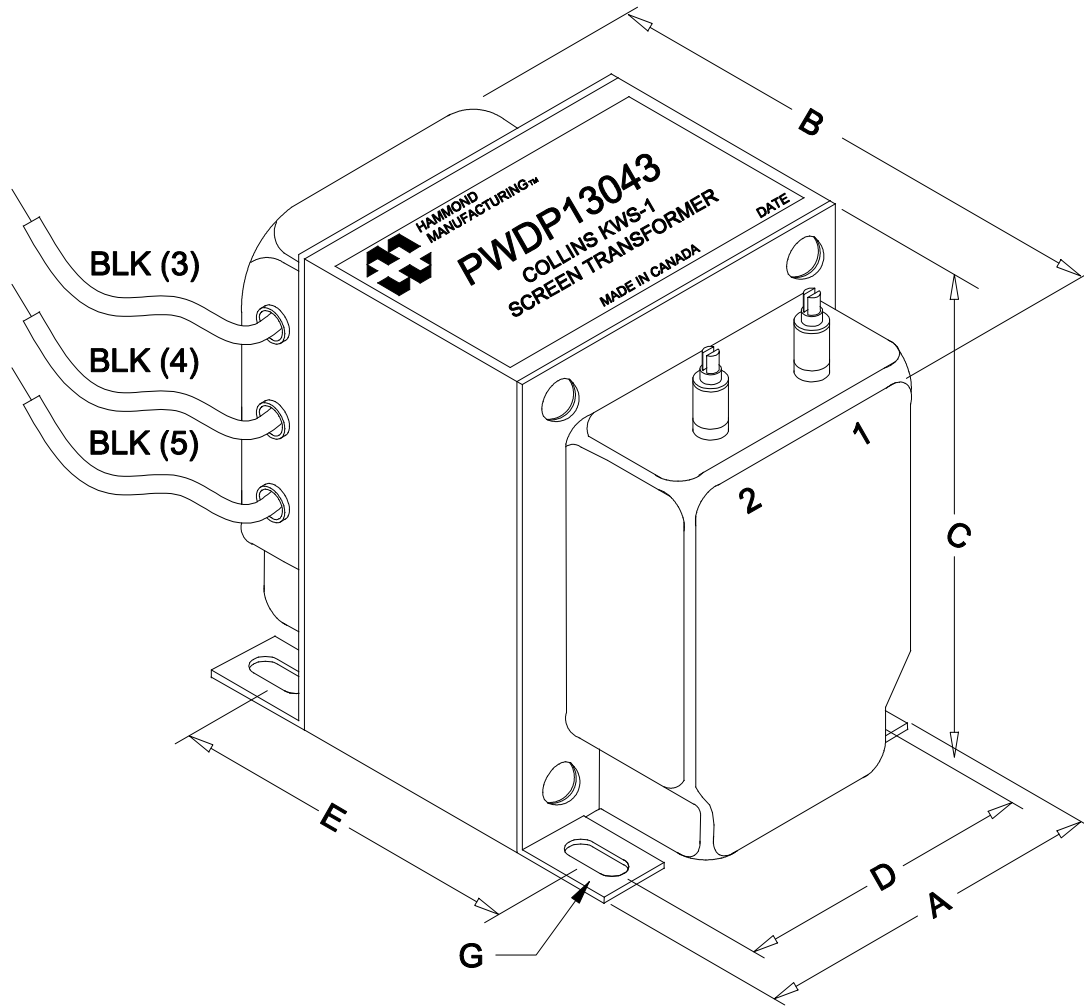
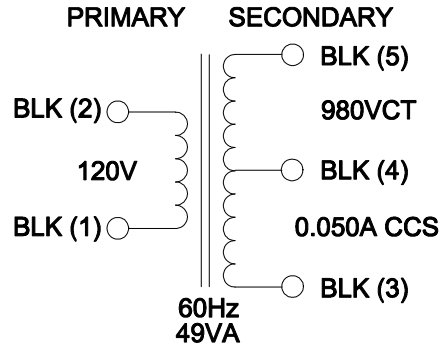


DIMENSIONS:	
A	2.500" ±0.063
B	2.935" ±0.125
C	3.060" ±0.063
D	2.000" ±0.063
E	1.938" ±0.063
G	0.203" X 0.375" ±0.015



NOTE: ALL LEADS 12.0" LONG MIN. STRIP 0.5"
HIPOT: PRIMARY & SECONDARY TO CORE: 5kV DC, 1 SEC



ELECTRONIC DIVISION
52 RANKIN PLACE,
WATERLOO, ONTARIO, N2J 3Z5
PH # (519) 886-6181
FAX # (519) 886-9540

TITLE
PWDP13043

NO	DATE	REVISION	DWG. BY
0	10/17/14	PRELIMINARY.	D.H. DOUG HUTT
1	10/27/14	REVISED.	C.I.
			DATE
			10/17/14
			DIM IN(Ø)MM()

EDBPWDP13043