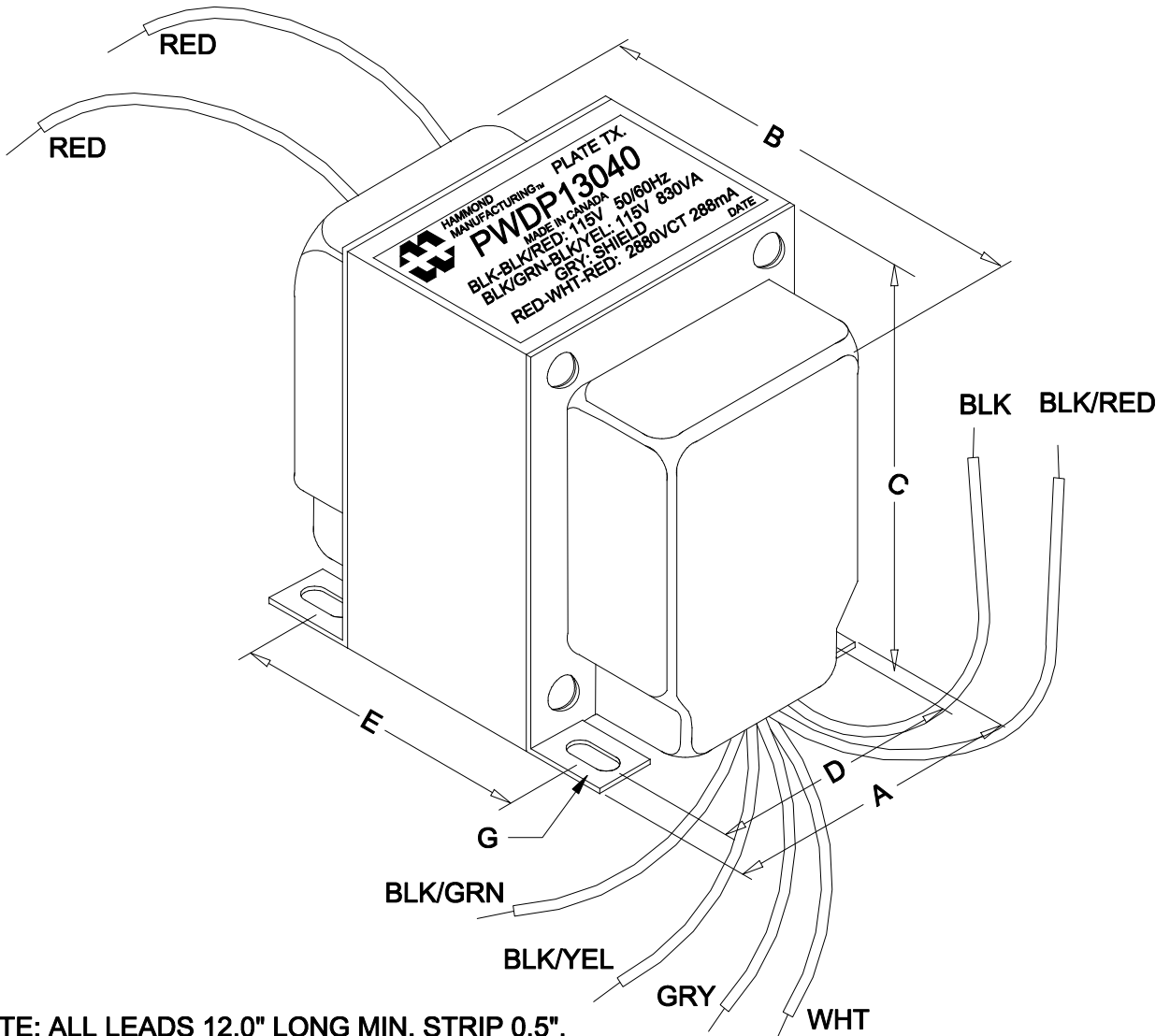
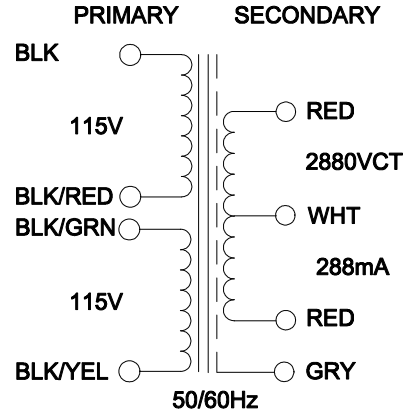


DIMENSIONS:	
A	4.375" ±0.063
B	5.600" ±0.125
C	5.300" ±0.063
D	3.500" ±0.063
E	4.000" ±0.063
G	0.281" X 0.625" ±0.015



NOTE: ALL LEADS 12.0" LONG MIN. STRIP 0.5".



**ELECTRONIC DIVISION**  
 52 RANKIN PLACE,  
 WATERLOO, ONTARIO, N2J 3Z5  
 PH # (519) 886-6181  
 FAX # (519) 886-9540

TITLE  
**PWDP13040**

NO	DATE	REVISION	DWG. BY
0	10/09/14	RELEASED.	C.I. CORINA ILIE
1	10/22/14	WHT WAS RED/YEL.	C.I.
			DATE
			10/09/14
			DIM IN( )MM( )

EDBPWDP13040