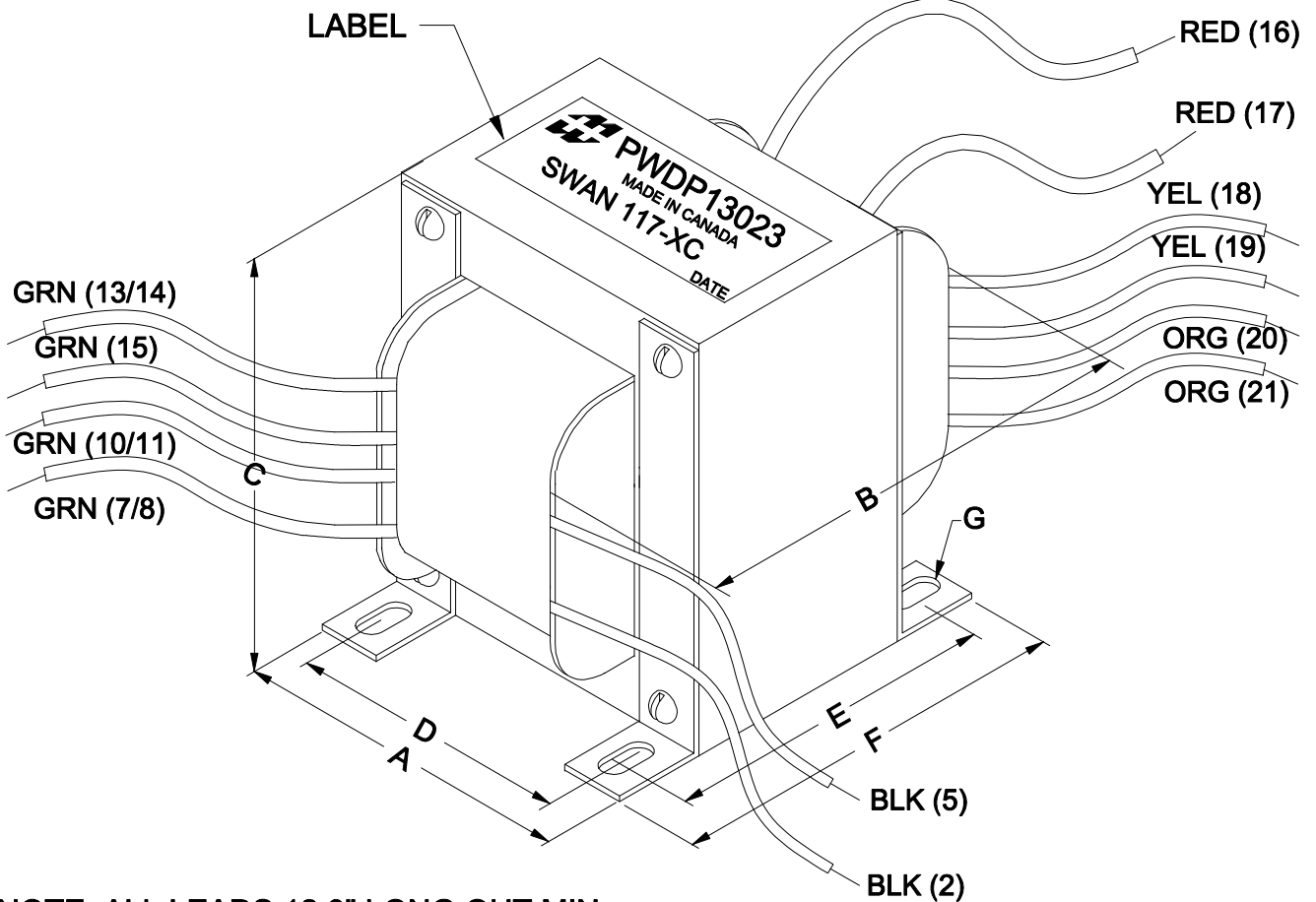
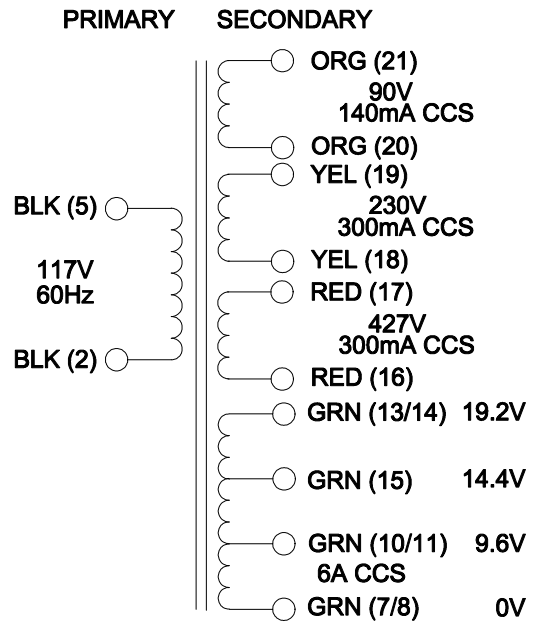


DIMENSIONS:	
A	3.750" ±0.063
B	4.250" ±0.125
C	4.500" ±0.063
D	3.000" ±0.063
E	3.000" ±0.063
F	3.562" ±0.063
G	0.203" X 0.375" ±0.015



NOTE: ALL LEADS 12.0" LONG OUT MIN.



ELECTRONIC DIVISION
 52 RANKIN PLACE,
 WATERLOO, ONTARIO, N2J 3Z5
 PH # (519) 886-6181
 FAX # (519) 886-9540

TITLE
**PETER DAHL
 SWAN 117-XC POWER**

NO	DATE	REVISION	DWG. BY
0	10/01/15	RELEASED.	C.I. CORINA ILIE
			DATE
			10/01/15
			DIM IN(∅)MM()

PWDP13023