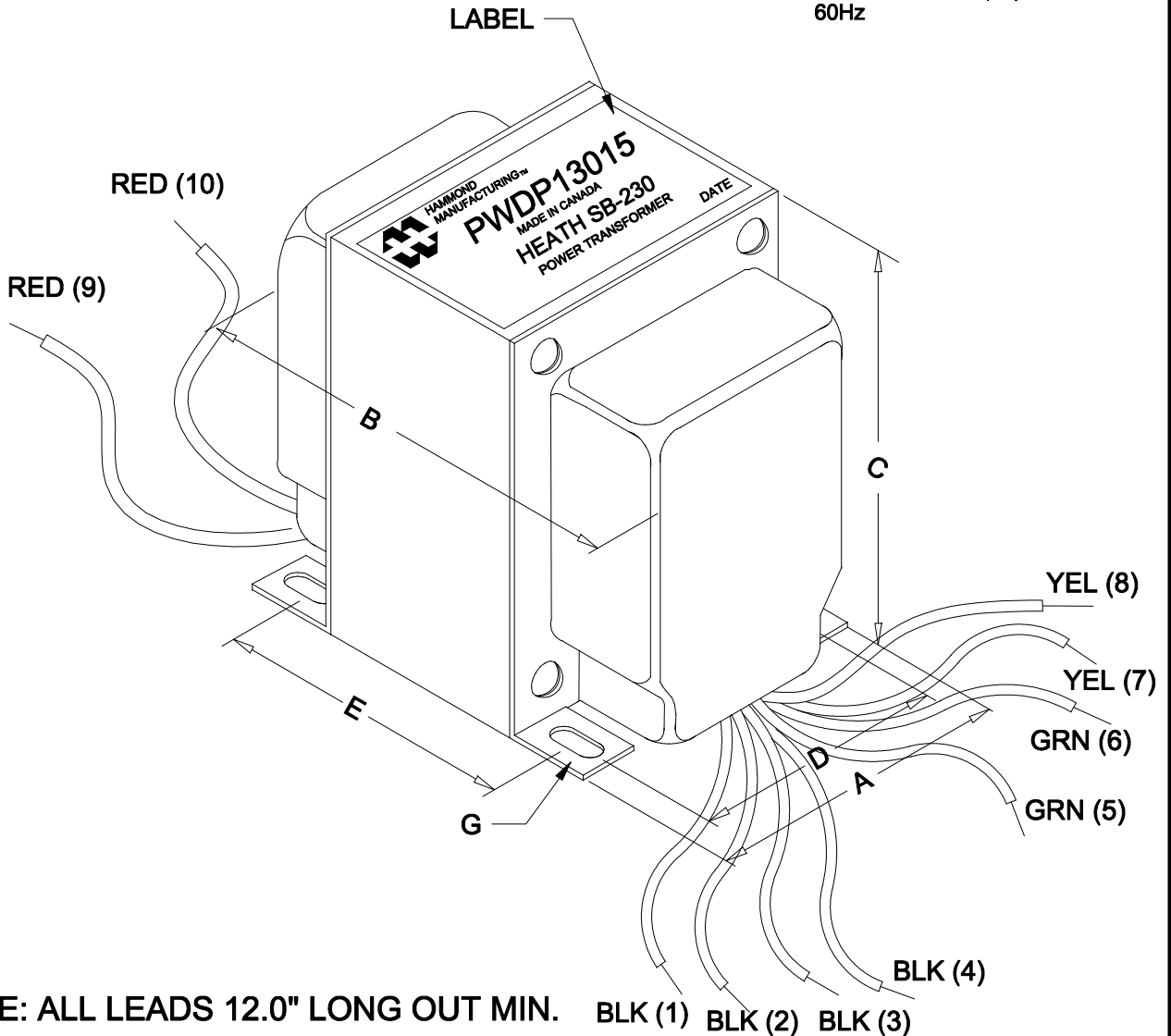
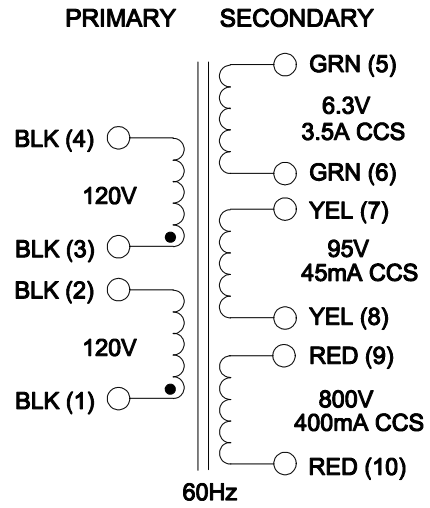


DIMENSIONS:	
A	3.750" ±0.063
B	5.435" ±0.125
C	4.530" ±0.063
D	3.000" ±0.063
E	4.313" ±0.063
G	0.203" X 0.375" ±0.063



HAMMOND
MANUFACTURING™

ELECTRONIC DIVISION
52 RANKIN PLACE,
WATERLOO, ONTARIO, N2J 3Z5
PH # (519) 886-6181
FAX # (519) 886-9540

TITLE			
PETER DAHL HEATH SB-230 POWER			
NO	DATE	REVISION	DWG. BY
0	09/23/15	RELEASED.	C.I.
			DATE
			09/23/15
			DIM IN()MM()

PWDP13015