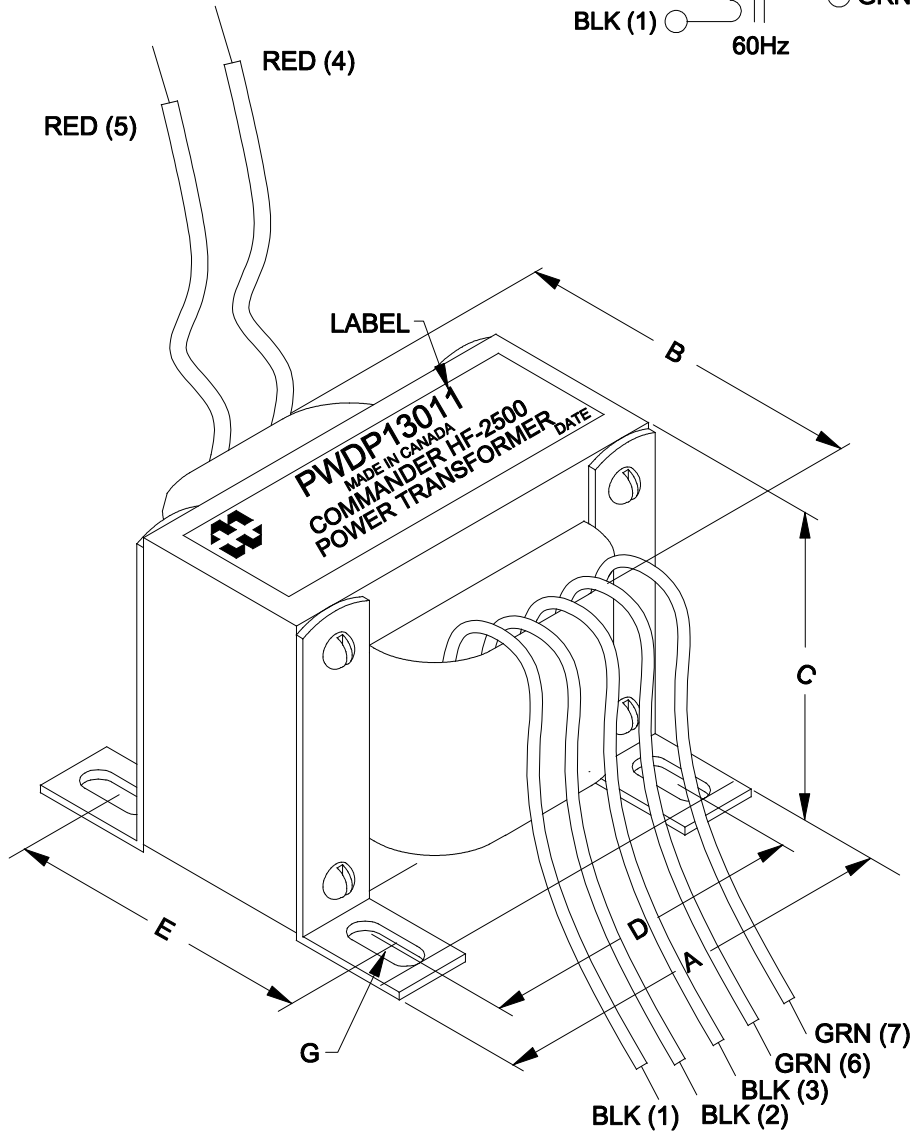
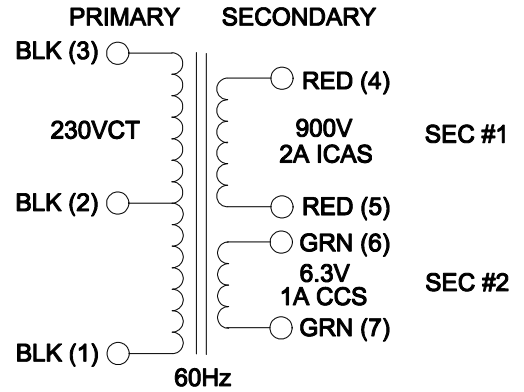


DIMENSIONS:

A	7.500" ±0.063
B	7.250" ±0.125
C	6.250" ±0.063
D	6.750" ±0.063
E	5.125" ±0.063
F	6.250" ±0.063
G	0.281" X 0.563" ±0.015



NOTE: ALL LEADS 12" OUT MIN.



ELECTRONIC DIVISION
 52 RANKIN PLACE,
 WATERLOO, ONTARIO, N2J 3Z5
 PH # (519) 886-6181
 FAX # (519) 886-9540

TITLE
**COMMANDER HF-2500
 POWER TRANSFORMER**

NO	DATE	REVISION	DWG. BY
0	04/03/14	RELEASED. C.I.	CORINA ILIE
			DATE
			04/03/14
			DIM IN()MM()

EDBPWDP13011