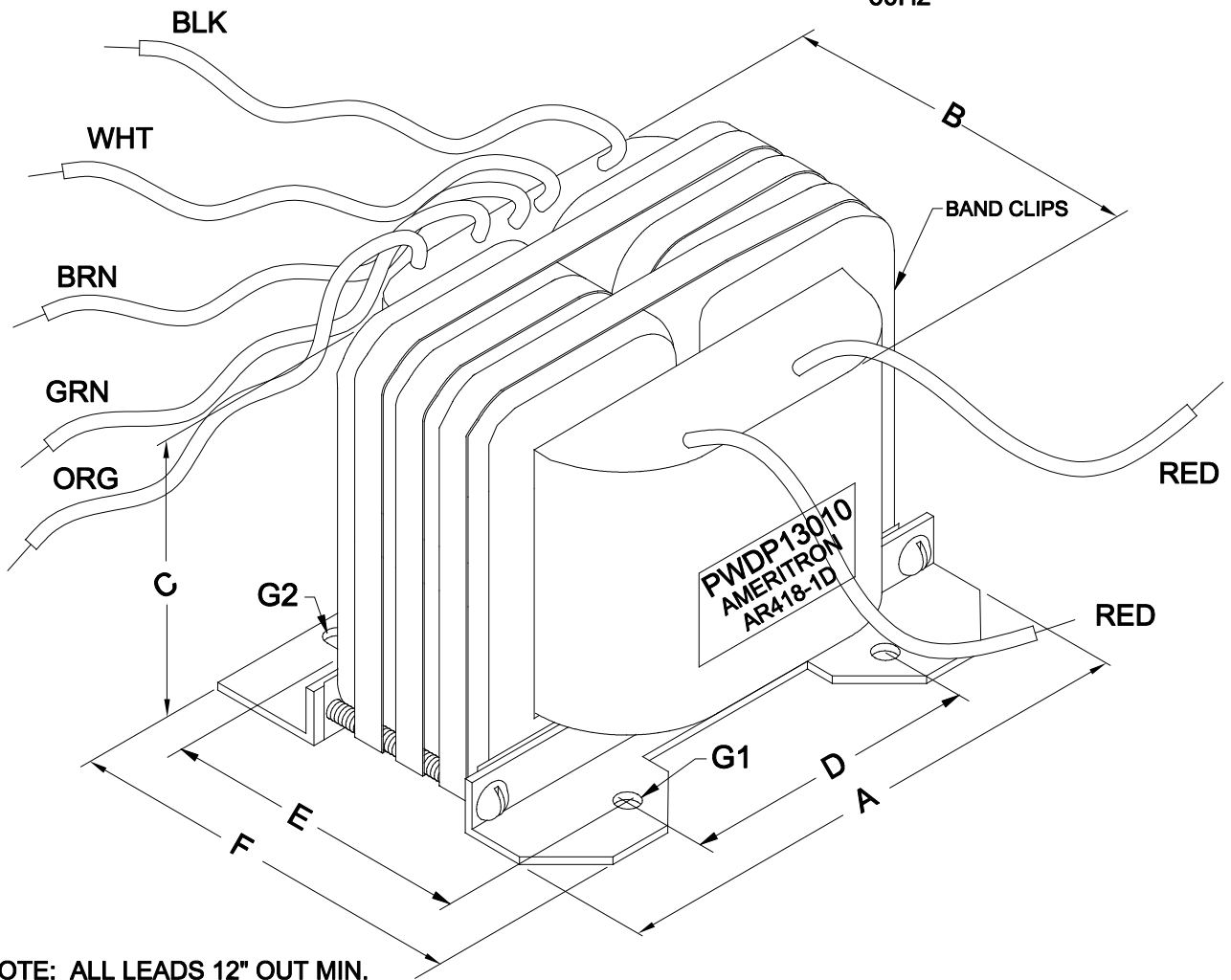
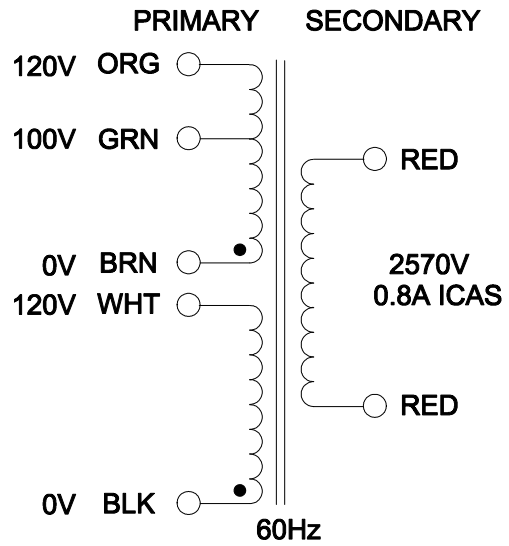


DIMENSIONS:	
A	7.375" ±0.063
B	6.000" MAX.
C	6.375" ±0.125
D	4.875" ±0.063
E	3.625" ±0.063
F	4.500" ±0.063
G1	0.265" ±0.015
G2	0.312" X 0.531" ±0.015



NOTE: ALL LEADS 12" OUT MIN.



**ELECTRONIC DIVISION**  
52 RANKIN PLACE,  
WATERLOO, ONTARIO, N2J 3Z5  
PH # (519) 886-6181  
FAX # (519) 886-9540

TITLE

PETER DAHL  
AMERITRON AR418-1D  
PLATE TRANSFORMER

NO	DATE	REVISION	DWG. BY
0	10/09/15	RELEASED. C.I.	CORINA ILIE
			DATE
			10/09/15
			DIM IN( )MM( )

PWDP13010