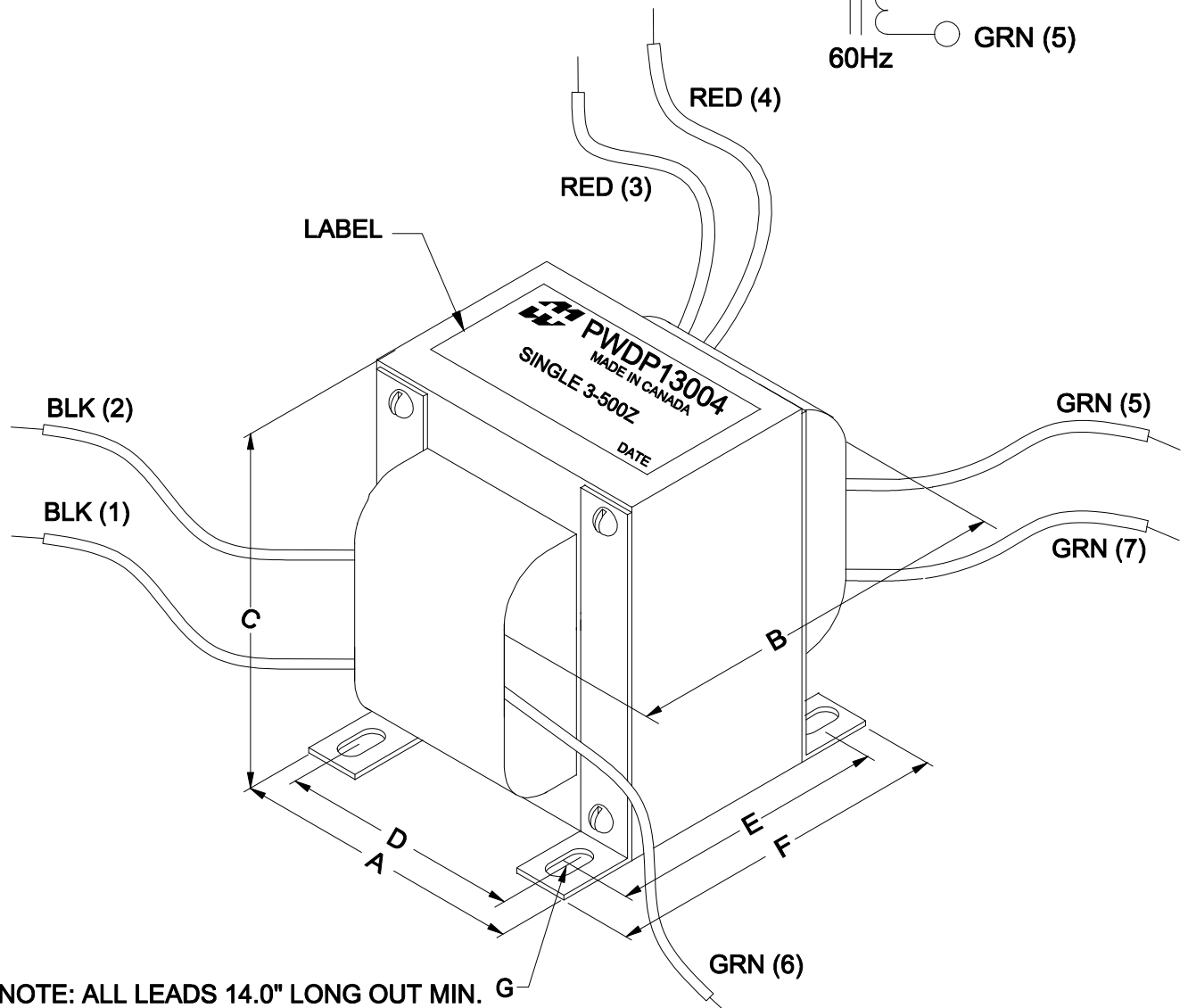
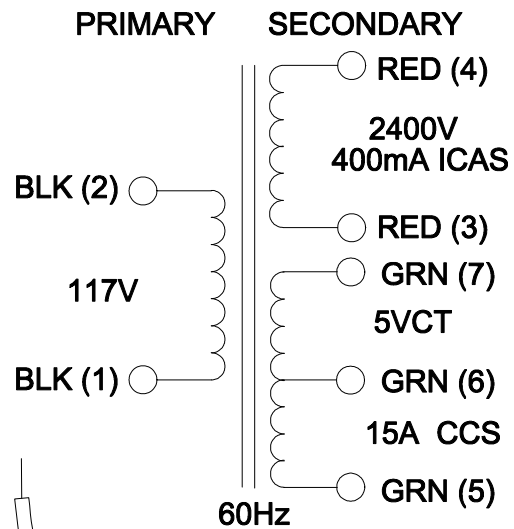


DIMENSIONS:	
A	4.250" ±0.063
B	6.150" MAX.
C	5.750" ±0.063
D	3.437" ±0.063
E	4.125" ±0.063
F	5.250" ±0.063
G	0.281" x 0.563" ±0.015



NOTE: ALL LEADS 14.0" LONG OUT MIN. G



ELECTRONIC DIVISION
 52 RANKIN PLACE,
 WATERLOO, ONTARIO, N2J 3Z5
 PH # (519) 886-6181
 FAX # (519) 886-9540

TITLE
**SINGLE 3-500Z
 PLATE & FILAMENT TRANSFORMER**

NO	DATE	REVISION	DWG. BY
0	09/24/15	RELEASED. C.I.	CORINA ILIE
			DATE
			09/24/15
			DIM IN(Ø)MM()

EDBPWDP13004