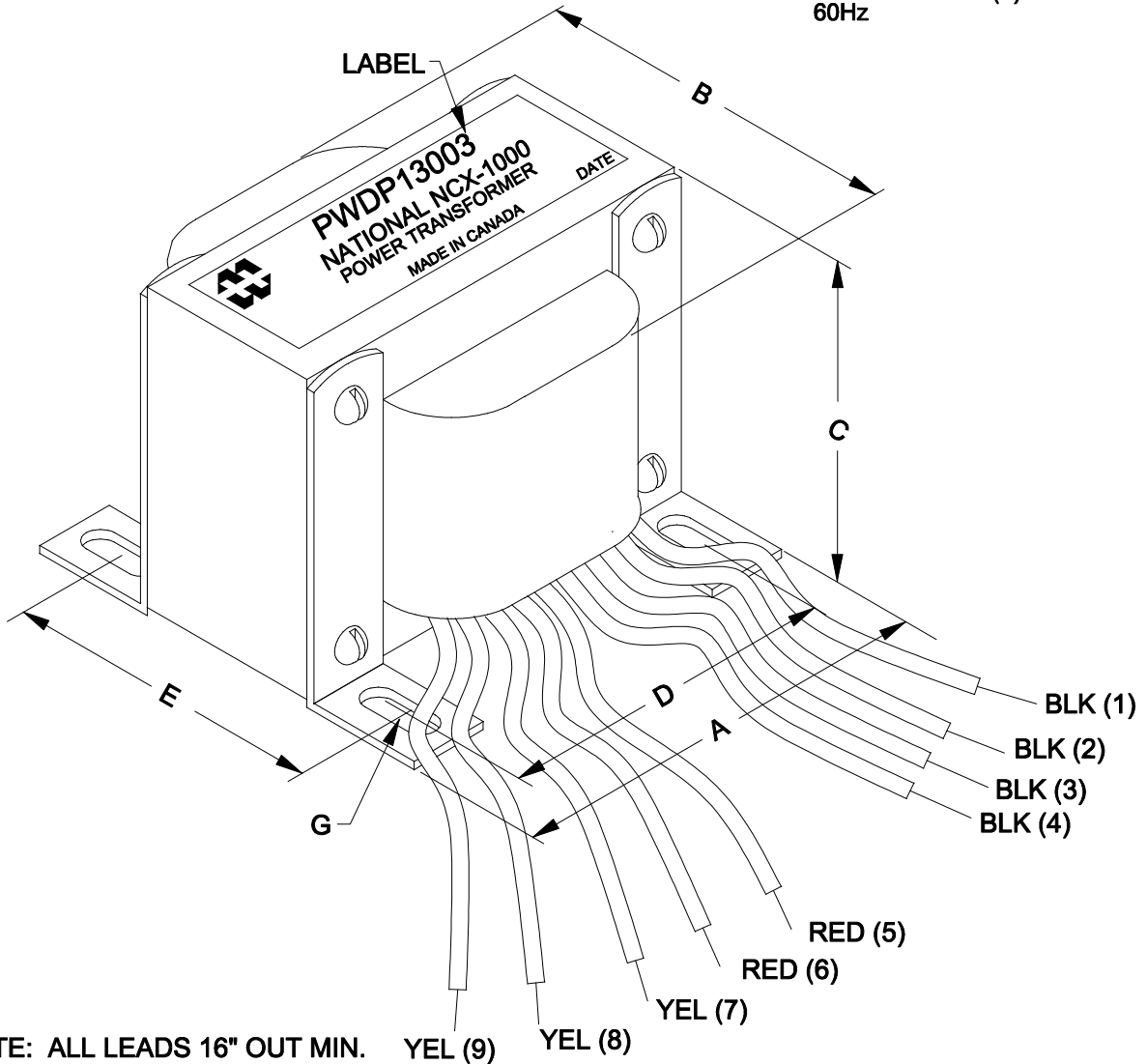
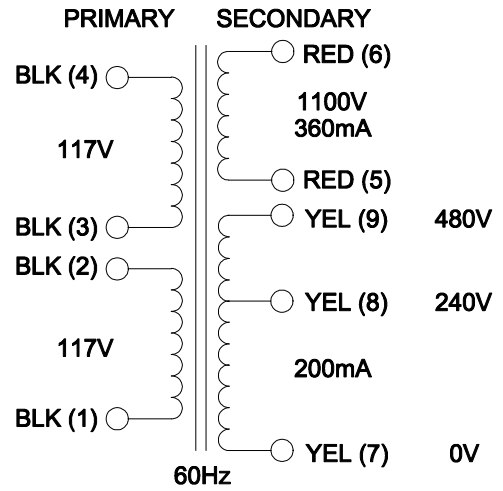


DIMENSIONS:	
A	5.250" ±0.063
B	4.705" MAX.
C	4.375" ±0.063
D	4.375" ±0.063
E	3.625" ±0.063
G	0.281" x 0.563" ±0.015



ELECTRONIC DIVISION
52 RANKIN PLACE,
WATERLOO, ONTARIO, N2J 3Z5
PH # (519) 886-6181
FAX # (519) 886-9540

TITLE
**NATIONAL NCX-1000
POWER TRANSFORMER**

NO	DATE	REVISION	DWG. BY
0	09/23/15	RELEASED. C.I.	CORINA ILIE
			DATE
			09/23/15
			DIM IN(∅)MM()

EDBPWDP13003