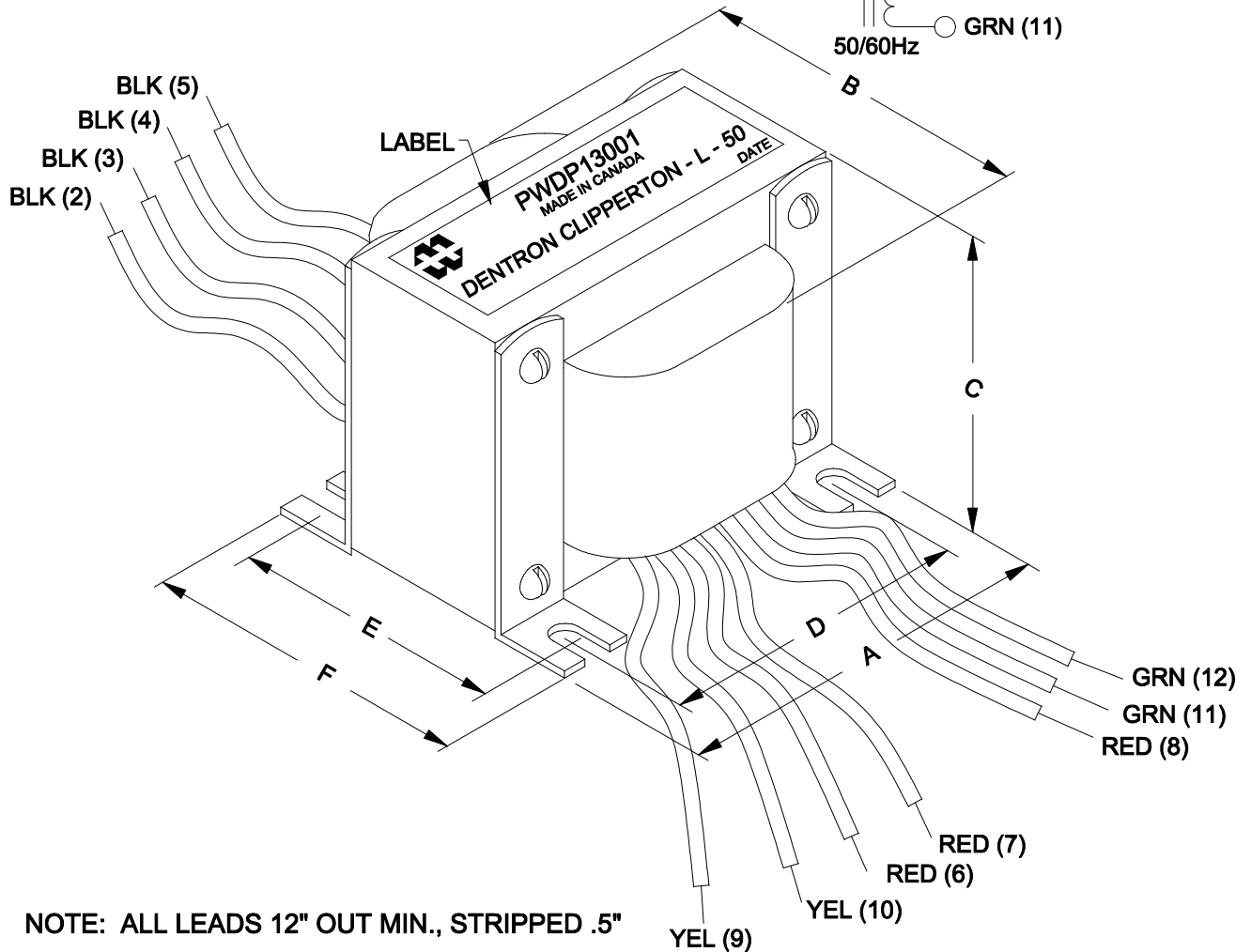
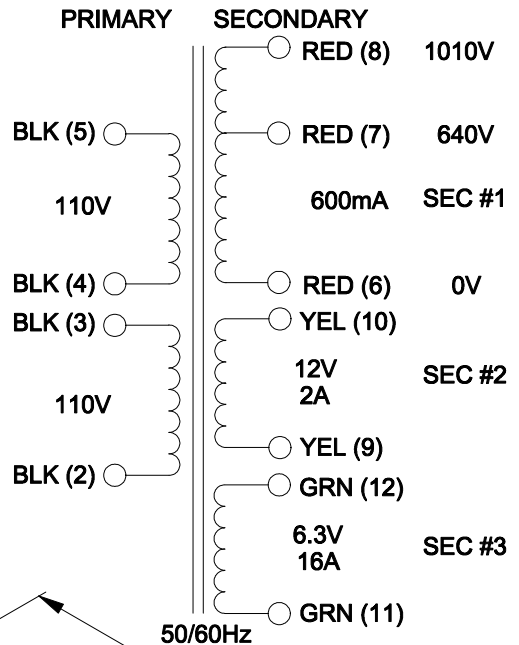


DIMENSIONS:	
A	5.750" ±0.063
B	6.650" MAX.
C	4.250" ±0.063
D	4.938" ±0.063
E	4.625" ±0.063
F	5.000" ±0.063
G	0.281" X 0.422" ±0.015



NOTE: ALL LEADS 12" OUT MIN., STRIPPED .5"



ELECTRONIC DIVISION
 52 RANKIN PLACE,
 WATERLOO, ONTARIO, N2J 3Z5
 PH # (519) 886-6181
 FAX # (519) 886-9540

TITLE		PWDP13001	
NO	DATE	REVISION	DWG. BY
0	04/08/15	RELEASED.	C.I. CORINA ILIE
			DATE
			04/08/15
			DIM IN()MM()

PWDP13001