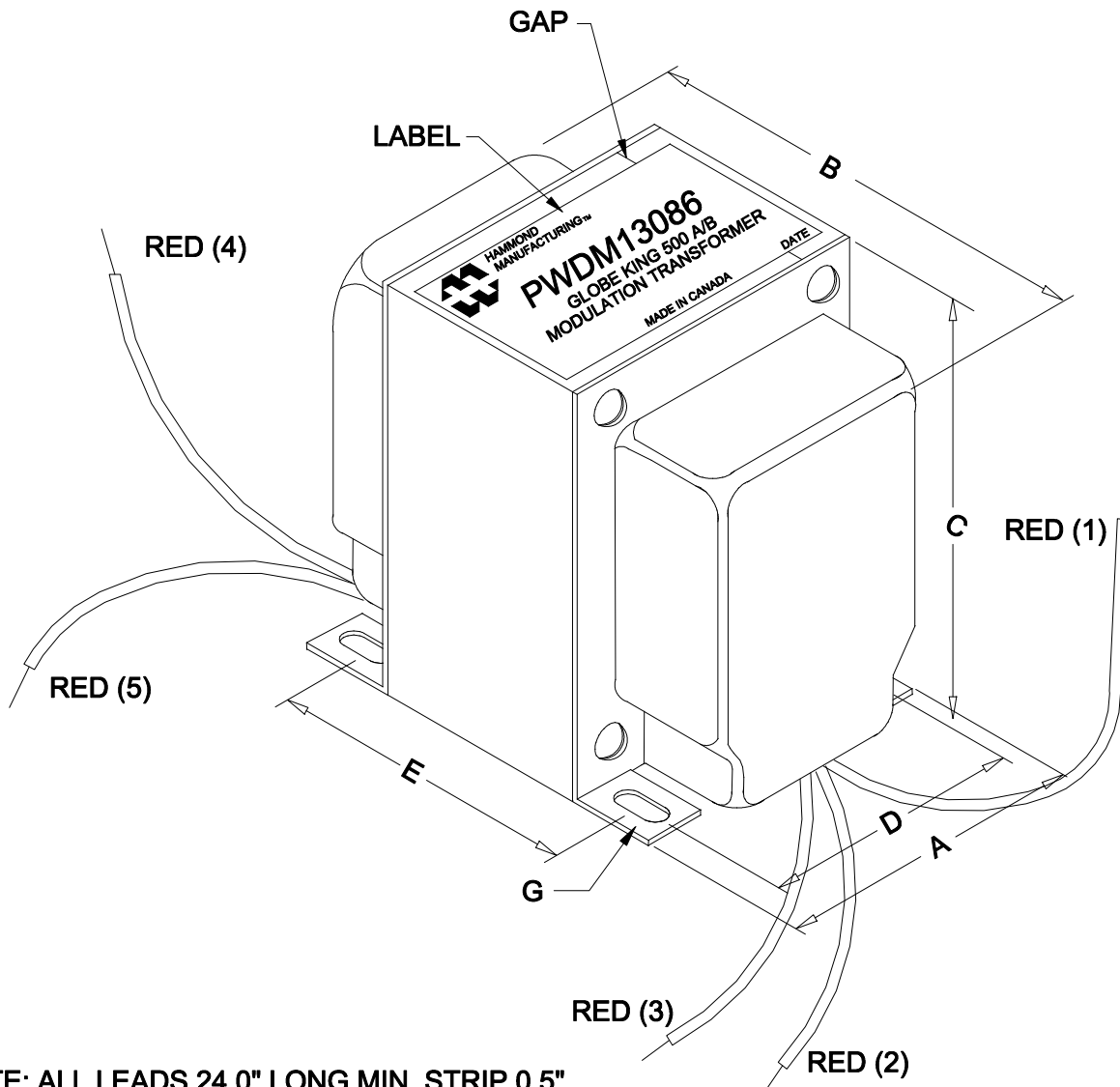
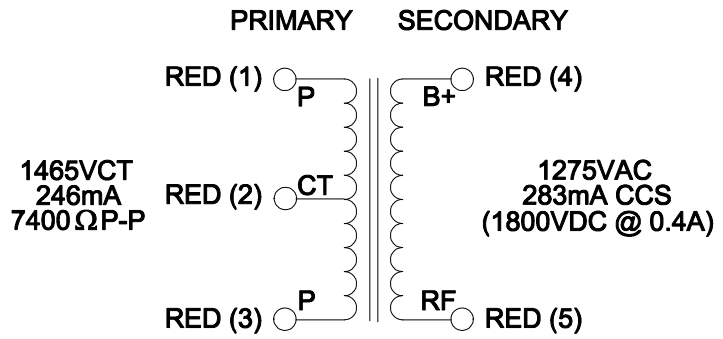


DIMENSIONS:	
A	3.750" ±0.063
B	5.935" ±0.063
C	4.530" ±0.063
D	3.000" ±0.063
E	4.813" ±0.063
G	0.203" X 0.375" ±0.015



NOTE: ALL LEADS 24.0" LONG MIN. STRIP 0.5".



**ELECTRONIC DIVISION**  
52 RANKIN PLACE,  
WATERLOO, ONTARIO, N2J 3Z5  
PH # (519) 886-6181  
FAX # (519) 886-9540

TITLE  
**GLOBE KING 500A/B  
MODULATION TRANSFORMER**

NO	DATE	REVISION	DWG. BY
0	03/08/16	RELEASED.	C.I. CORINA ILIE
			DATE
			03/08/16
			DIM IN( )MM( )

PWDM13086