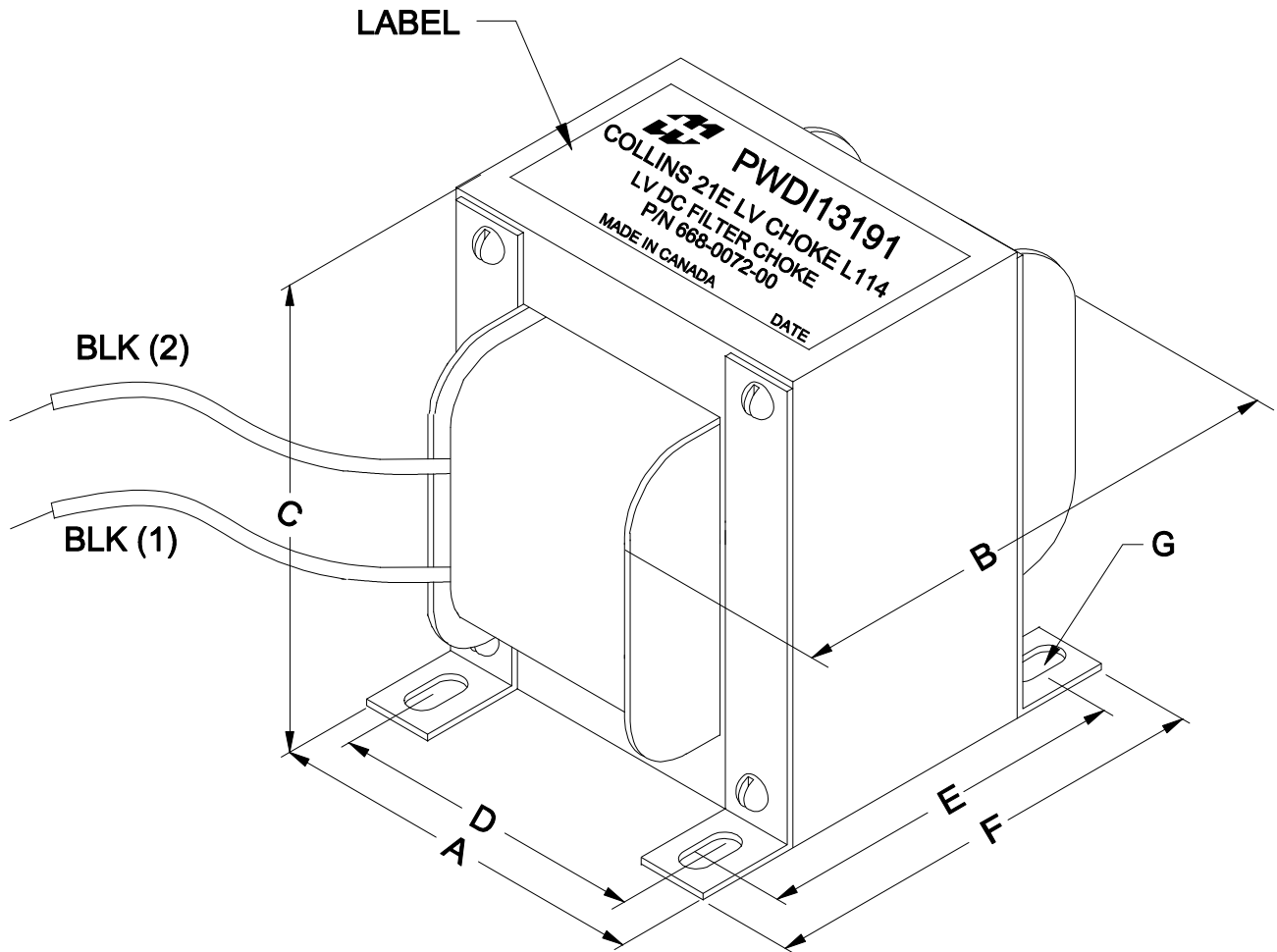
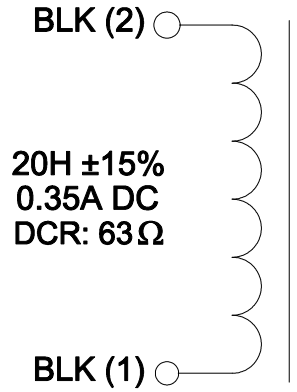


DIMENSIONS:	
A	3.750" ±0.063
B	4.625" ±0.125
C	4.500" ±0.063
D	3.000" ±0.063
E	4.000" ±0.063
F	4.563" ±0.063
G	0.203" X 0.375" ±0.015



NOTE: ALL LEADS 12.0" LONG OUT MIN.



**ELECTRONIC DIVISION**  
52 RANKIN PLACE,  
WATERLOO, ONTARIO, N2J 3Z5  
PH # (519) 886-6181  
FAX # (519) 886-9540

TITLE  
**COLLINS 21E LV CHOKE L114**  
LV DC FILTER CHOKE  
P/N 668-0072-00

NO	DATE	REVISION	DWG. BY
0	03/09/20	RELEASED.	C. ILIE
			DATE
			03/09/20
			DIM IN(X)MM( )

PWDI13191