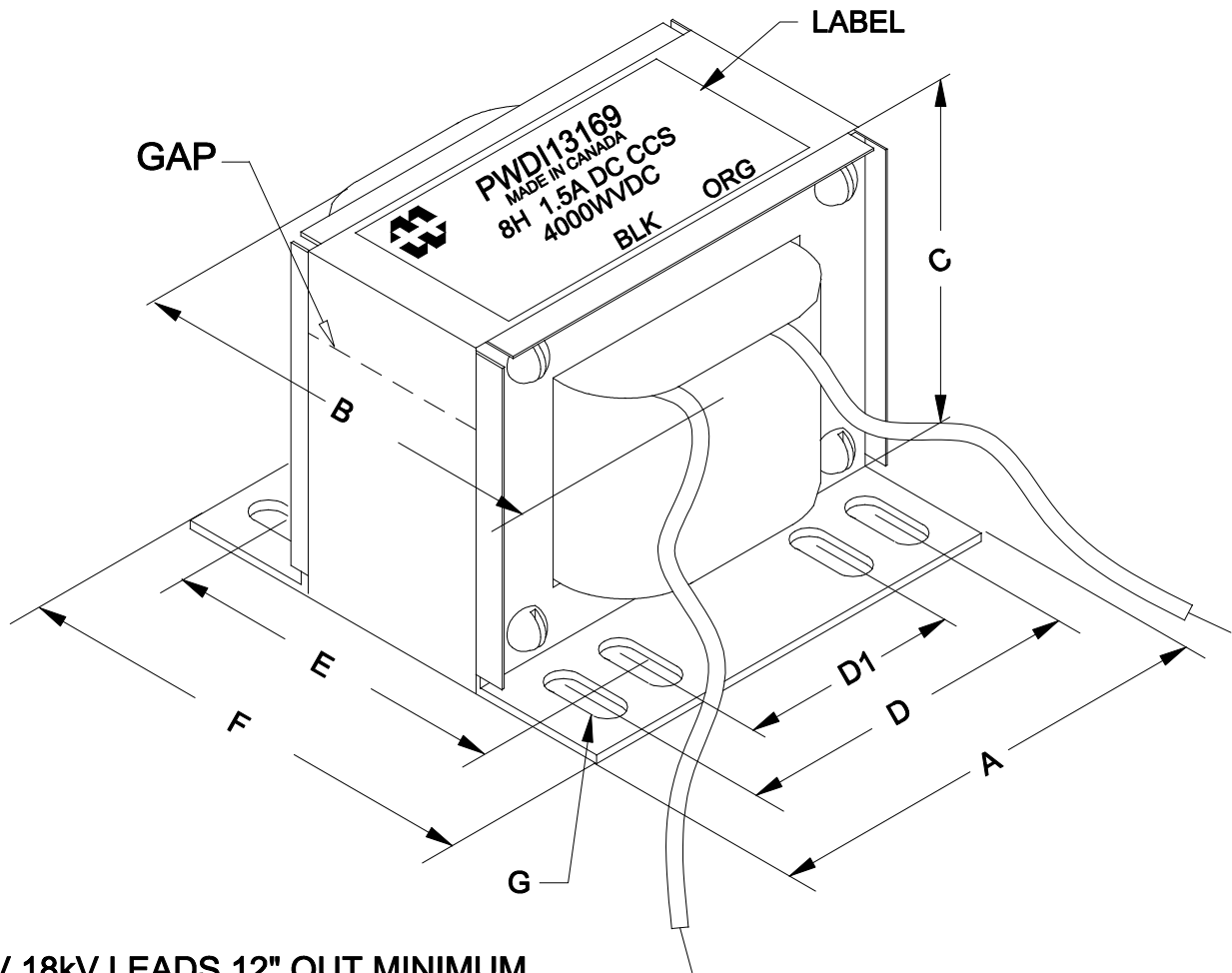
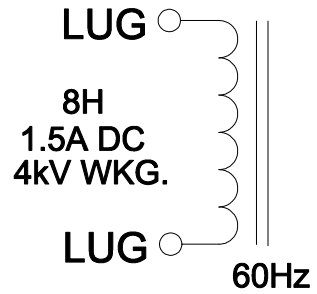


DIMENSIONS:	
A	7.500" ±0.125
B	8.000" ±0.250
C	6.500" ±0.125
D	6.000" ±0.125
D1	4.500" ±0.125
E	7.125" ±0.125
F	8.500" MAX.
G	0.375" X 1.000" ±0.015



HV 18kV LEADS 12" OUT MINIMUM.

HAMMOND
MANUFACTURING™

ELECTRONIC DIVISION
52 RANKIN PLACE,
WATERLOO, ONTARIO, N2J 3Z5
PH # (519) 886-6181
FAX # (519) 886-9540

TITLE

HIGH VOLTAGE CHOKE

NO	DATE	REVISION	DWG. BY
0	09/19/19	RELEASED.	C. ILIE
			DATE
			09/19/19
			DIM IN(X)MM()

PWD113169