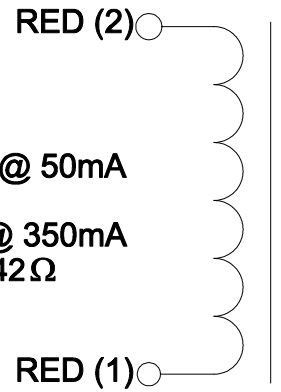
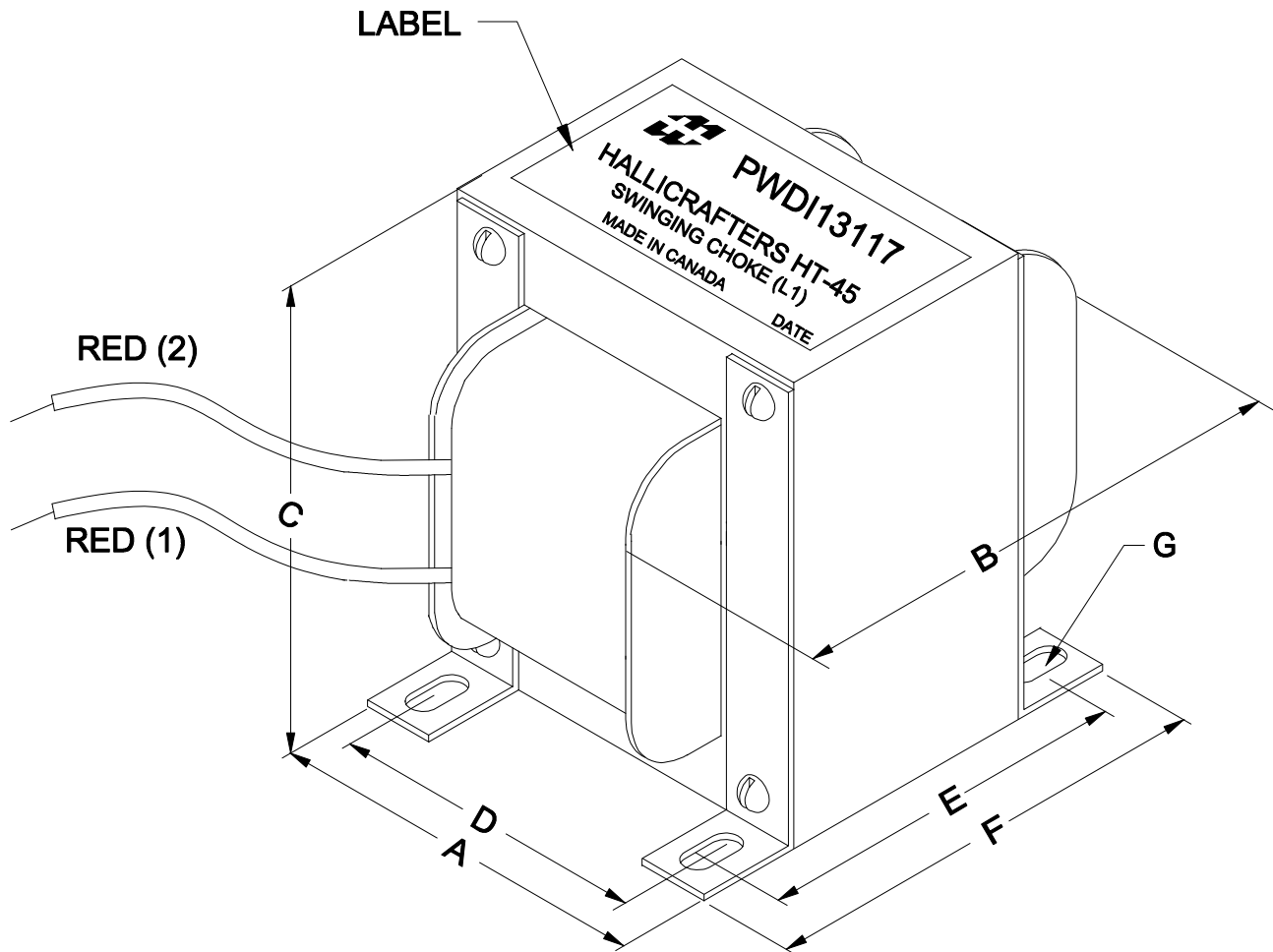


DIMENSIONS:	
A	3.750" ±0.063
B	3.560" ±0.125
C	4.500" ±0.063
D	3.000" ±0.063
E	3.000" ±0.063
F	3.563" ±0.063
G	0.203" X 0.375" ±0.015



16H ±25% @ 50mA
TO
4H ±25% @ 350mA
DCR: 42Ω



NOTE: ALL LEADS 12.0" LONG OUT MIN.
DIELECTRIC STRENGTH TEST WINDING TO CORE: 5000V, 60Hz, 1SEC.



**HAMMOND
MANUFACTURING**
ELECTRONIC DIVISION
52 RANKIN PLACE,
WATERLOO, ONTARIO, N2J 3Z5
PH # (519) 886-6181
FAX # (519) 886-9540

TITLE			
HALLICRAFTERS HT-45 SWINGING CHOKE (L1)			
NO	DATE	REVISION	DWG. BY
0	05/15/17	RELEASED. C.I.	CORINA ILIE
1	06/12/17	ADDED INDUCTANCE TOLERANCE. C.I.	DATE
2	06/13/17	ADDED HIPOT PASSING VALUE. C.I.	05/15/17
			DIM IN()MM()

EDBPWD113117