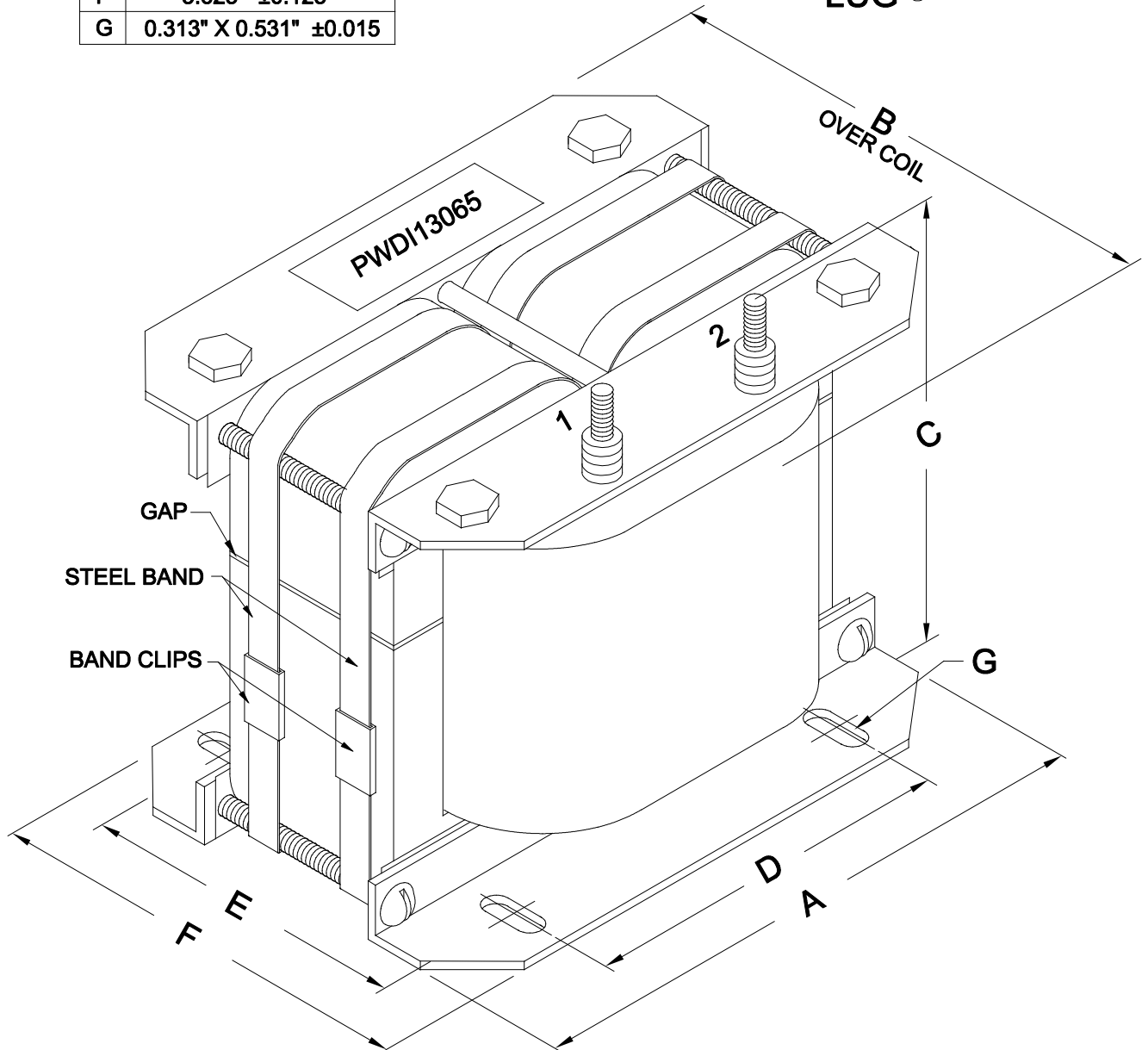
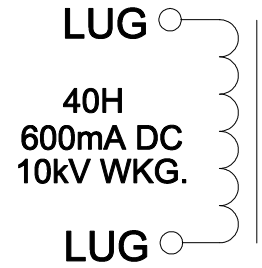


DIMENSIONS:

A	8.750" ±0.125
B	8.825" ±0.125
C	10.00" ±0.125
D	6.250" ±0.063
E	4.500" ±0.063
F	5.625" ±0.125
G	0.313" X 0.531" ±0.015



**HAMMOND
MANUFACTURING**
ELECTRONIC DIVISION
52 RANKIN PLACE,
WATERLOO, ONTARIO, N2J 3Z5
PH # (519) 886-6181
FAX # (519) 886-9540

TITLE
PWDI13065
BC-1 MODULATION REACTOR

NO	DATE	REVISION	DWG. BY
0	07/13/15	RELEASED.	C.I. CORINA ILIE
			DATE 07/13/15
			DIM IN()MM()

EDBPWDI13065