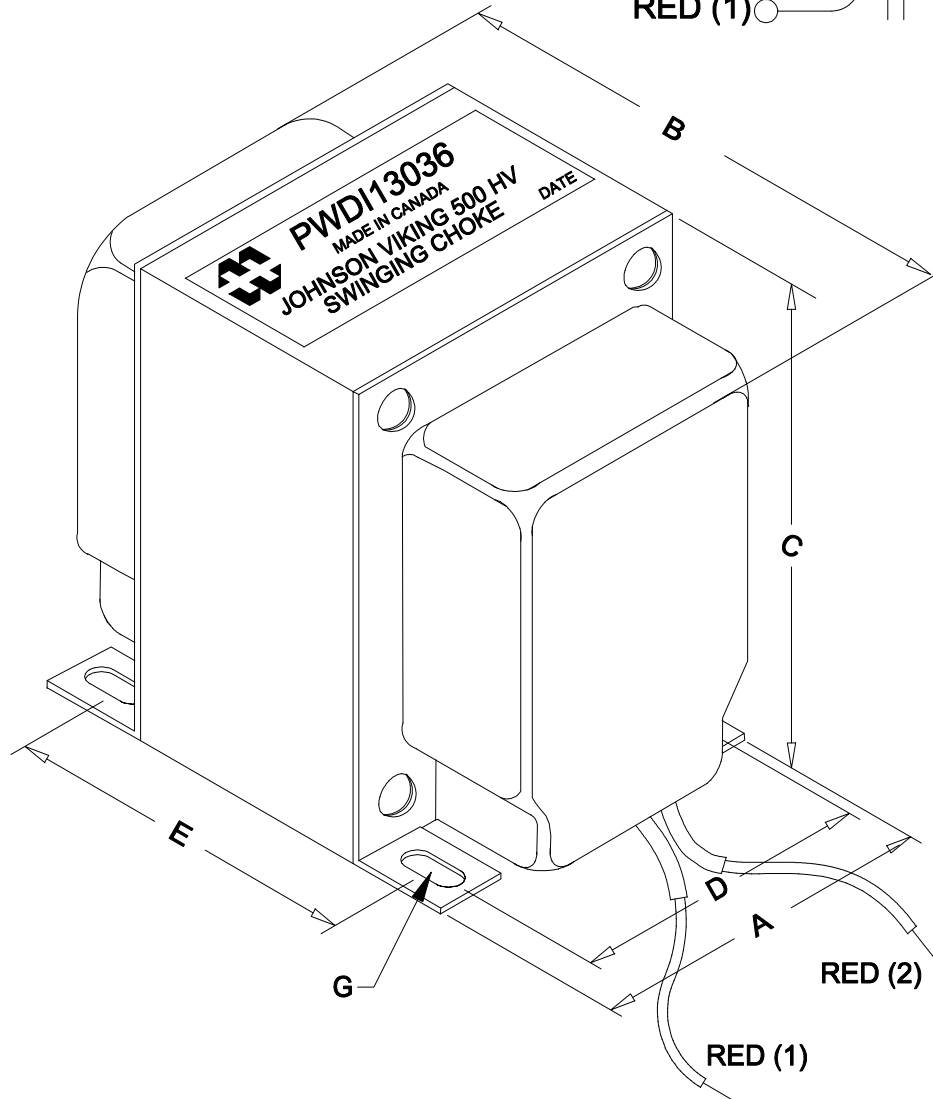
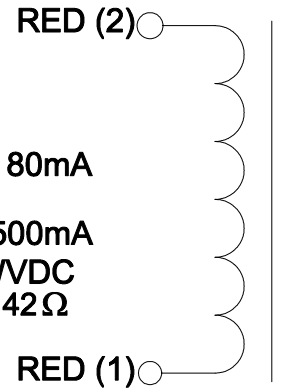


DIMENSIONS:	
A	4.375" ±0.063
B	5.100" ±0.125
C	5.300" ±0.063
D	3.500" ±0.063
E	3.500" ±0.063
G	0.281" X 0.625" ±0.015

25H @ 80mA
TO
5H @ 500mA
2200WVDC
DCR: 42Ω



NOTE: ALL LEADS ARE 12" MIN. LONG OUT.



ELECTRONIC DIVISION
52 RANKIN PLACE,
WATERLOO, ONTARIO, N2J 3Z5
PH # (519) 886-6181
FAX # (519) 886-9540

TITLE

PWDI13036

NO	DATE	REVISION	DWG. BY
0	10/02/14	RELEASED. C.I.	CORINA ILIE
			DATE
			10/02/14
			DIM IN(×)MM()

EDBPWDI13036