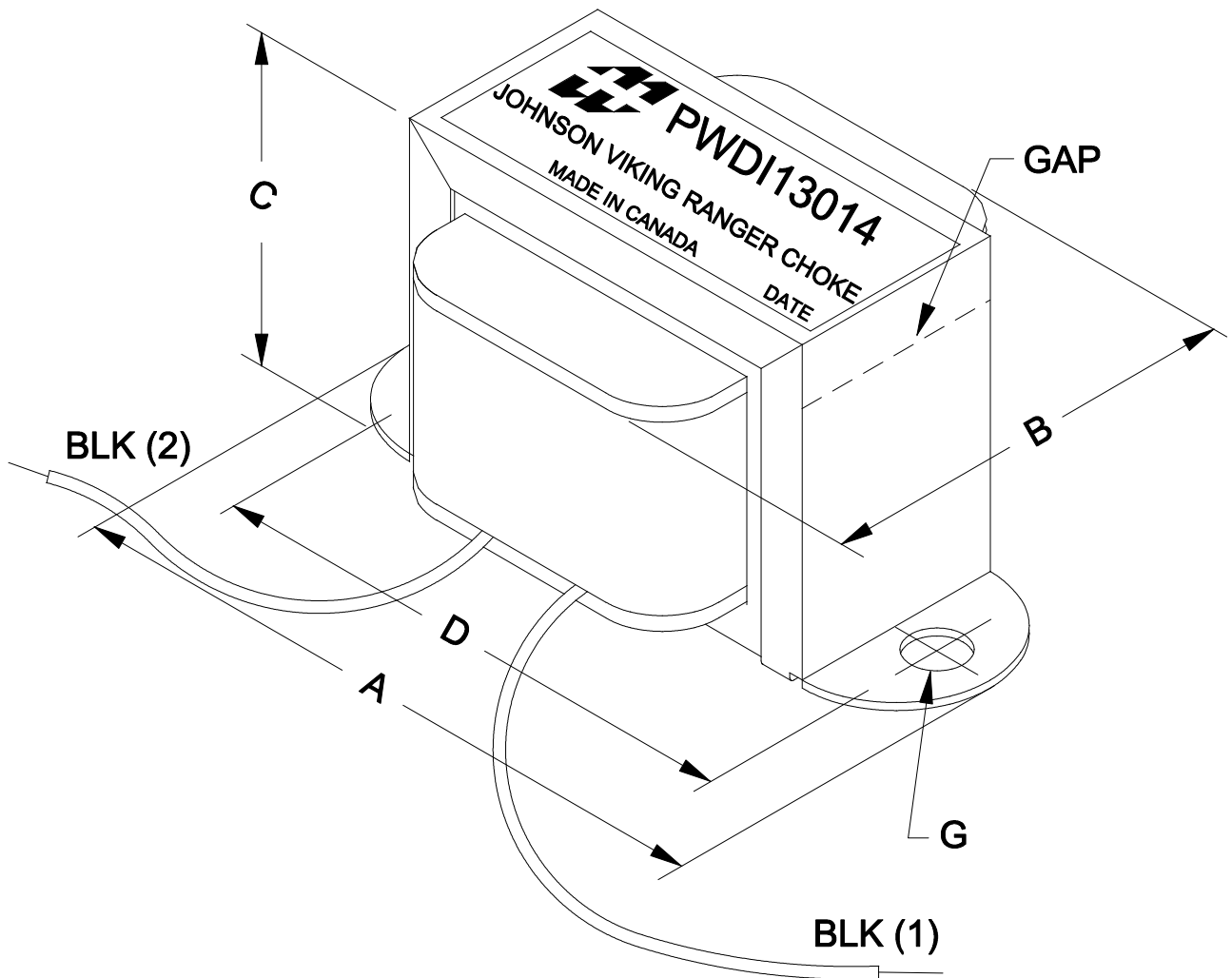
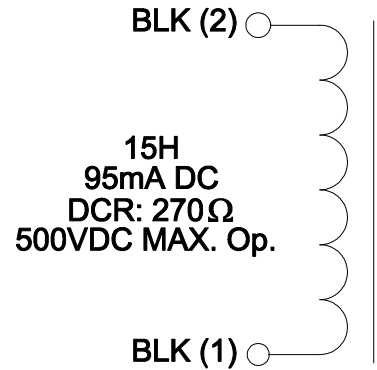


DIMENSIONS:	
A	3.688" ±0.063
B	1.965" ±0.125
C	2.308" ±0.063
D	3.125" ±0.063
G	0.187" ±0.015



NOTE: ALL LEADS ARE 12" MIN. LONG OUT.



**ELECTRONIC DIVISION**  
52 RANKIN PLACE,  
WATERLOO, ONTARIO, N2J 3Z5  
PH # (519) 886-6181  
FAX # (519) 886-9540

TITLE

PWDI13014

NO	DATE	REVISION	DWG. BY
0	12/09/13	RELEASED.	C.I. CORINA ILIE
			DATE 12/09/13
			DIM IN(×)MM( )

EDBPWDI13014